

TC-H6800

SERVICE MANUAL

Canadian Model
AEP Model
UK Model
E Model
Australian Model
Tourist Model



This set is the cassette deck section in FH-E9X, MHC-6800.

Model Name Using Similar Mechanism	TC-H4700	
Tape Transport Mechanism Type	DECK A	TCM-190RA12A
	DECK B	TCM-190RB12A

SPECIFICATIONS

Recording system 4-track 2-channel stereo
Frequency response (DOLBY NR OFF)
40 — 13,000 Hz (± 3 dB),
using TYPE I cassette
(Sony HF-S)
40 — 14,000 Hz (± 3 dB),
using TYPE II cassette
(Sony UX-S)
40 — 15,000 Hz (± 3 dB),
using TYPE IV cassette
(Sony METAL-S)
Wow and flutter 0.1% WRMS $\pm 0.3\%$ (DIN)

Design and specifications subject to change without notice.

- Dolby noise reduction and HX Pro headroom extension manufactured under license from Dolby Laboratories Licensing Corporation. HX Pro originated by Bang & Olufsen.
"DOLBY", the double-D symbol $\square\square$ and "HX PRO" are trademarks of Dolby Laboratories Licensing Corporation.

SAFETY-RELATED COMPONENT WARNING!!

COMPONENTS IDENTIFIED BY MARK \triangle OR DOTTED LINE WITH MARK \triangle ON THE SCHEMATIC DIAGRAMS AND IN THE PARTS LIST ARE CRITICAL TO SAFE OPERATION. REPLACE THESE COMPONENTS WITH SONY PARTS WHOSE PART NUMBERS APPEAR AS SHOWN IN THIS MANUAL OR IN SUPPLEMENTS PUBLISHED BY SONY.

ATTENTION AU COMPOSANT AYANT RAPPORT À LA SÉCURITÉ!

LES COMPOSANTS IDENTIFIÉS PAR UNE MARQUE \triangle SUR LES DIAGRAMMES SCHÉMATIQUES ET LA LISTE DES PIÈCES SONT CRITIQUES POUR LA SÉCURITÉ DE FONCTIONNEMENT. NE REMPLACER CES COMPOSANTS QUE PAR DES PIÈCES SONY DONT LES NUMÉROS SONT DONNÉS DANS CE MANUEL OU DANS LES SUPPLÉMENTS PUBLIÉS PAR SONY.

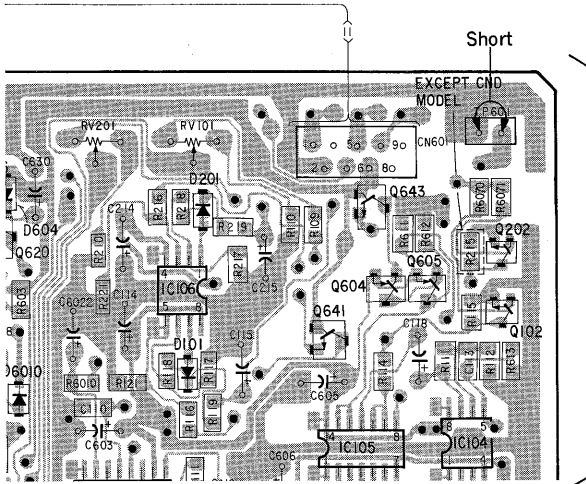


STEREO CASSETTE DECK
SONY[®]

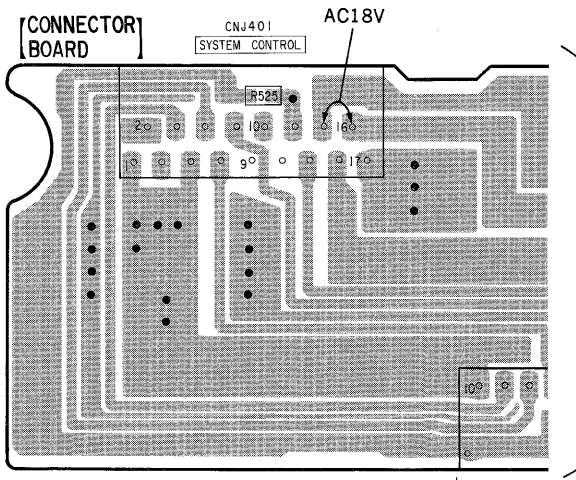
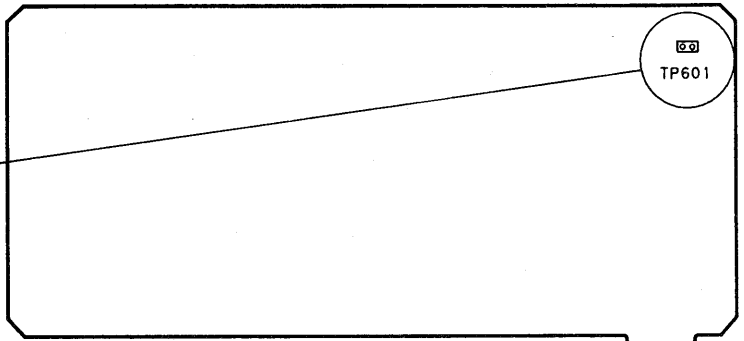
NOTE FOR REPAIRING

Usually, the power amplifier TA-H6800N is connected to this set to supply the power to it.

When repairing this set alone, as shown below, short TP601 on the TC main board, then connect 18Vac to pins ⑭ and ⑯ of CNJ401 on the connector board.



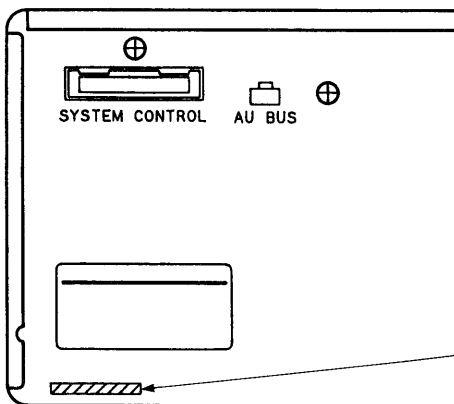
[TC MAIN BOARD] (CONDUCTOR SIDE)



[CONNECTOR BOARD] (CONDUCTOR SIDE)

MODEL IDENTIFICATION

—BACK PANEL—



• Abbreviations

- IT : Italian model
- EA : Saudi Arabia model
- AUS: Australian model
- JE : Tourist model
- MY : Malaysia model
- SP : Singapore model

3-382-505-21 AE : AEP, UK, IT, E, EA, AUS, JE, MY, SP model

3-382-505-31 AE4: German model

3-382-505-81 CA : Canadian model

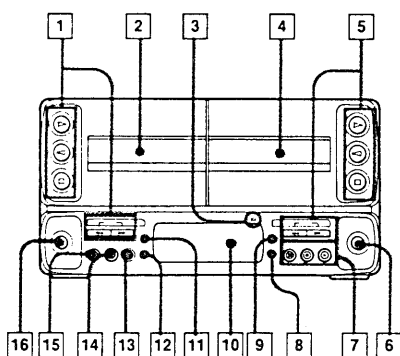
TABLE OF CONTENTS

<u>Section</u>	<u>Title</u>	<u>Page</u>	<u>Section</u>	<u>Title</u>	<u>Page</u>
1. GENERAL			5. DIAGRAMS		
1-1.	Parts Identification	3	5-1.	Circuit Boards Location	9
2. DISASSEMBLY			5-2.	Semiconductor Lead Layouts	10
2-1.	Cassette Lid Assy	4	5-3.	Printed Wiring Boards—Main Section—	12
2-2.	SW Board	4	5-4.	Schematic Diagram—Main Section—	15
2-3.	Cassette Retainer	4	5-5.	Schematic Diagram—Connector/Power Section—	21
2-4.	Front Panel Assy	4	5-6.	Printed Wiring Boards—Connector/Power Section—	25
2-5.	MD Block	4	6. EXPLODED VIEWS		
2-6.	TC Main Board	4	6-1.	Cabinet Section	26
2-7.	Power Board	4	6-2.	Cassette Holder Section	27
2-8.	Mechanism Deck	5	6-3.	Mechanism Deck Section (1)	28
2-9.	Capstan/Reel Motor	5	6-4.	Mechanism Deck Section (2)	29
2-10.	Head Base Assy	5	7. ELECTRICAL PARTS LIST		30
3. MECHANICAL ADJUSTMENTS		6			
4. ELECTRICAL ADJUSTMENTS		6			

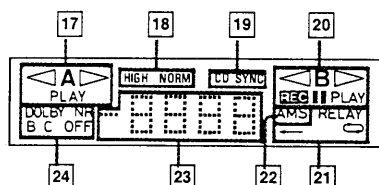
SECTION 1 GENERAL

This section is extracted from instruction manual.

1-1. PARTS IDENTIFICATION



- | | |
|--|--|
| <p>1 Tape operation buttons (for Deck A)
▷: Forward play
◁: Reverse play
□: Stop
◀◀ AMS ▶▶: Fast winding</p> <p>2 Cassette holder (Deck A)</p> <p>3 AUTO REC LEVEL (Automatic Recording Level) indicator (72, 84, 86)</p> <p>4 Cassette holder (Deck B)</p> <p>5 Tape operation buttons (for Deck B)
▷: Forward play
◁: Reverse play
□: Stop
◀◀ AMS ▶▶: Fast winding</p> <p>6 ⏏ Eject button (Deck B)</p> <p>7 Recording operation buttons (for Deck B)
PAUSE button (72, 76)
MUTE ○ (muting) button (74)
REC ○ (recording) button (72)</p> | <p>8 RESET button (64)
Resets the counter of the cassette deck to "0".</p> <p>9 COUNTER A/B selector button (64)</p> <p>10 Display window</p> <p>11 DIRECTION MODE button (64, 70, 72, 76)</p> <p>12 DOLBY NR (Dolby Noise Reduction) selection button (66, 72)</p> <p>13 DUBBING MODE button (76)</p> <p>14 CD SYNCHRO FADE (Fade Synchro) button and indicator (84)</p> <p>15 CD SYNCHRO C. FADE (Cross Fade Synchro) button and indicator (86)</p> <p>16 ⏏ Eject button (Deck A)</p> |
|--|--|

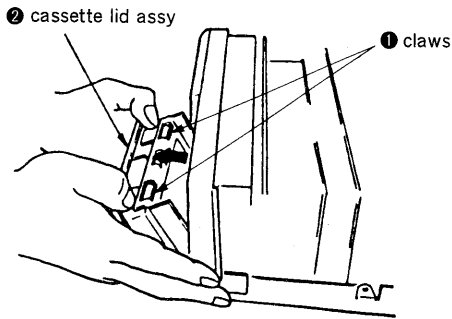


- 17** Deck A status display
18 Dubbing mode display
19 CD SYNCHRO display
20 Deck B status display
21 Tape direction mode display
22 AMS display
23 Counter display
24 DOLBY NR display

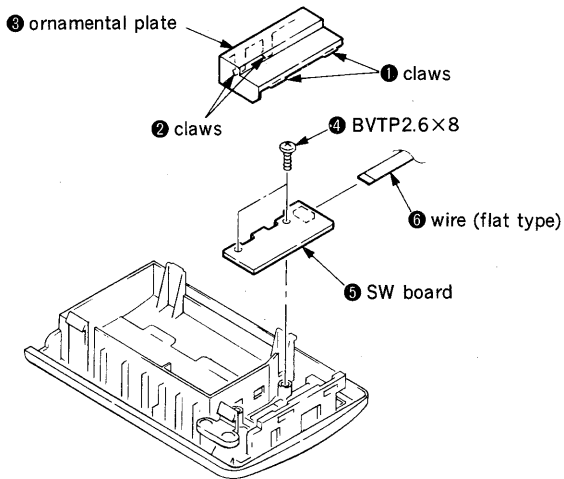
SECTION 2 DISASSEMBLY

Note: Follow the disassembly procedure in the numerical order given.

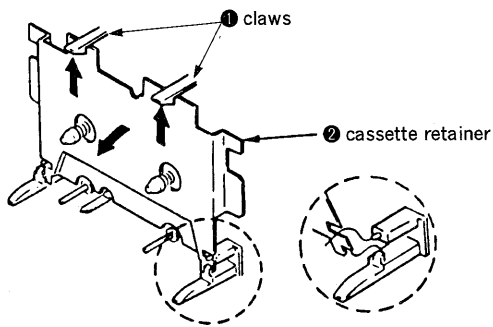
2-1. CASSETTE LID ASSY



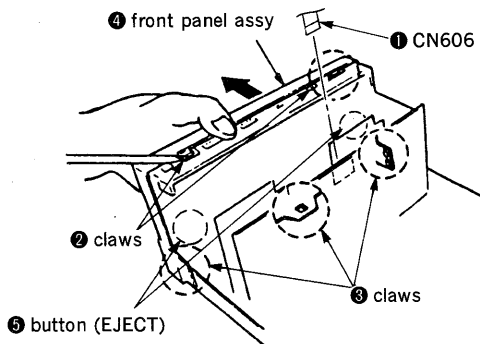
2-2. SW BOARD



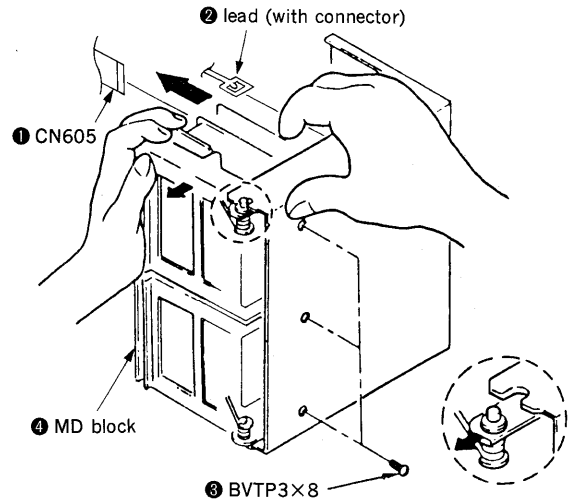
2-3. CASSETTE RETAINER



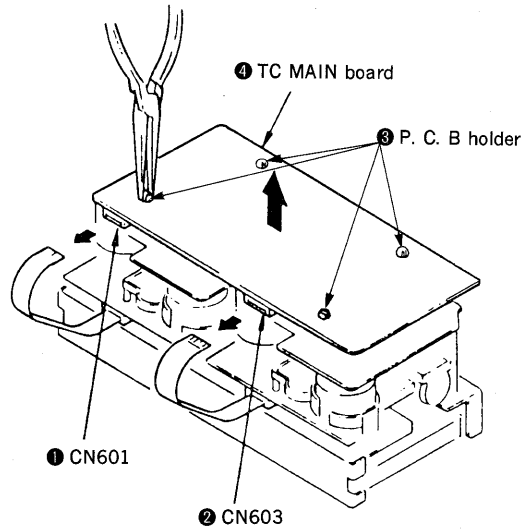
2-4. FRONT PANEL ASSY



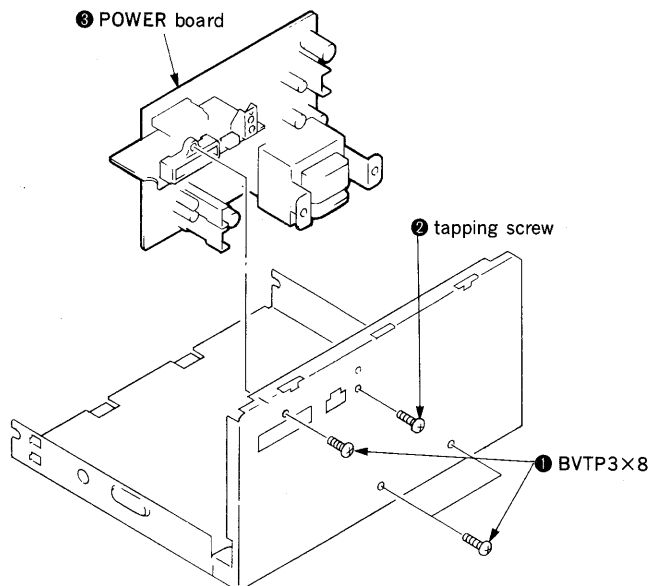
2-5. MD BLOCK



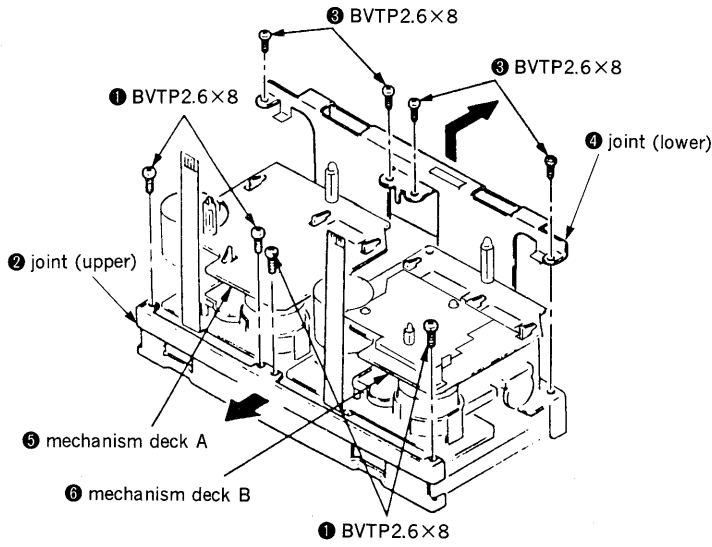
2-6. TC MAIN BOARD



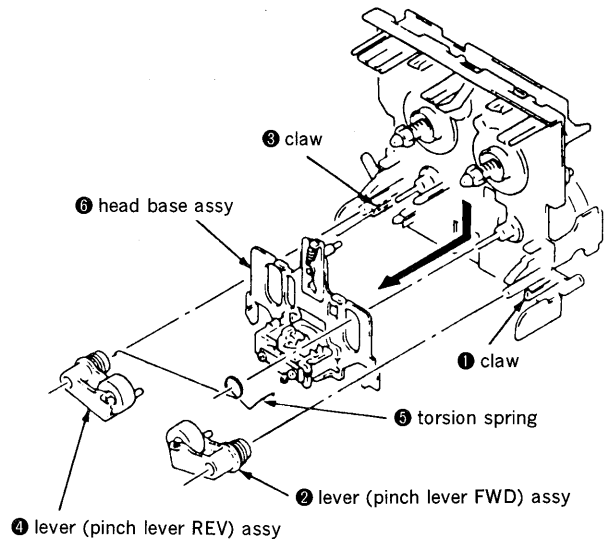
2-7. POWER BOARD



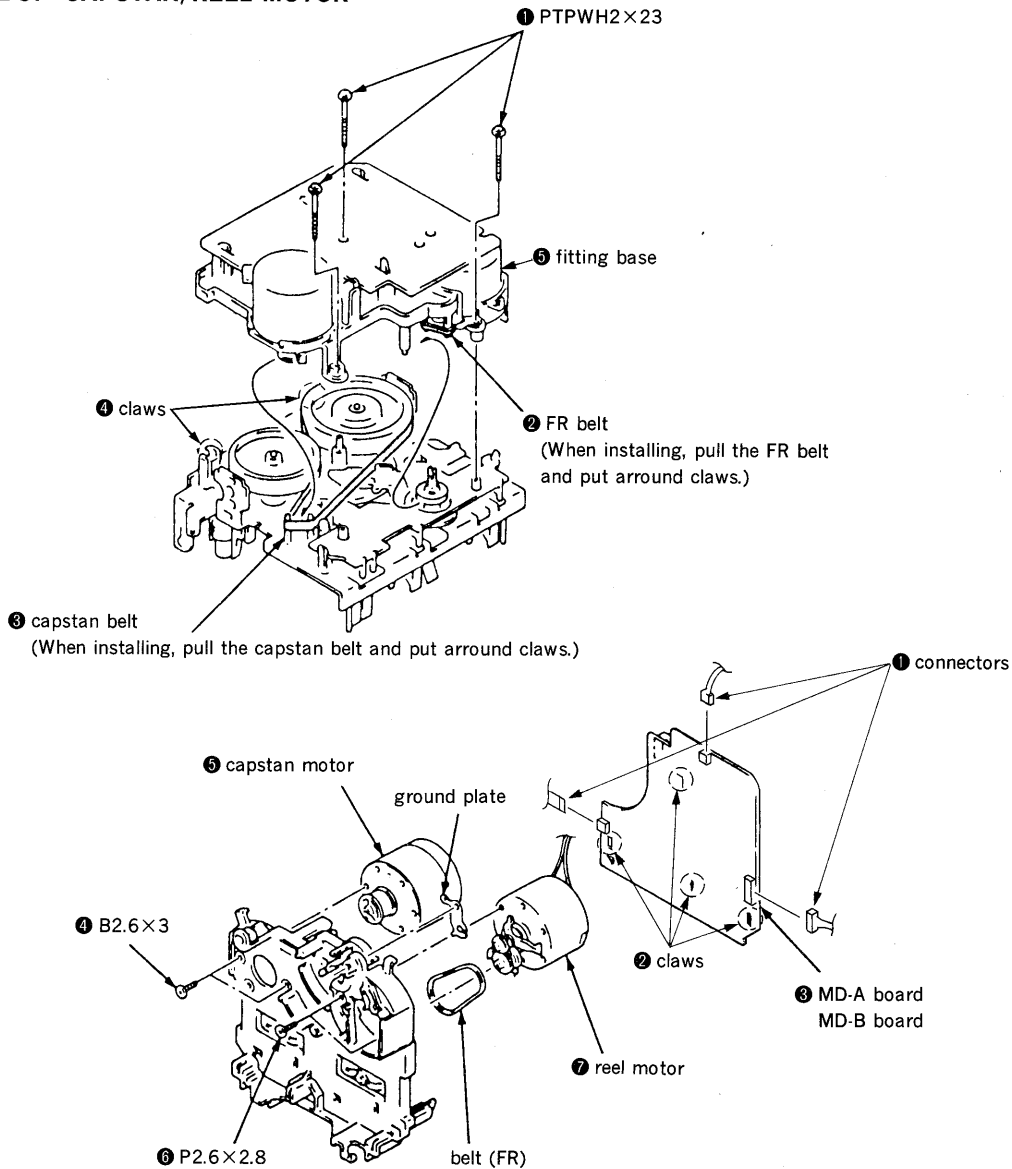
2-8. MECHANISM DECK



2-10. HEAD BASE ASSY



2-9. CAPSTAN/REEL MOTOR



SECTION 3 MECHANICAL ADJUSTMENTS

PRECAUTION

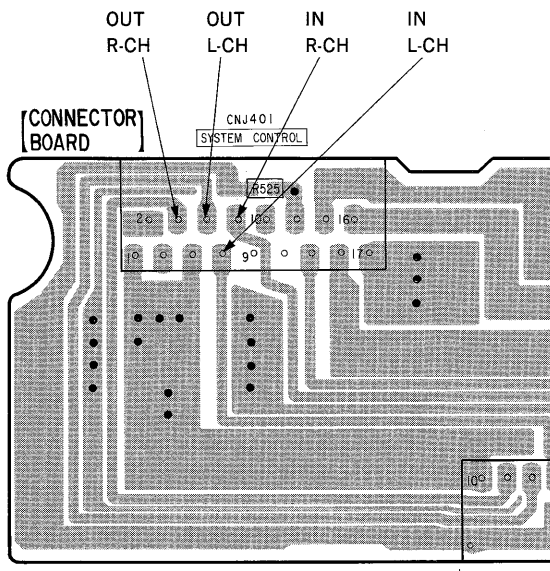
1. Clean the following parts with a denatured alcohol-moistened swab :

record/playback head	pinch roller
erase head	rubber belts
capstan	idlers
2. Demagnetize the record/playback head with a head demagnetizer.
(Head demagnetizer do not approach for the erase head.)
3. Do not use a magnetized screwdriver for the adjustment.
4. After the adjustments, apply suitable locking compound to the parts adjusted.
5. The adjustments should be performed with the rated power supply voltage unless otherwise noted.

Torque Measurement

Torque	Torque meter	Meter reading
Forward	CQ-102C	30 to 65g · cm (0.42 to 0.90 oz · inch)
Forward back tension	CQ-102C	1 to 6g · cm (0.01 to 0.08oz · inch)
Reverse	CQ-102RC	30 to 65g · cm (0.42 to 0.90oz · inch)
Reverse back tension	CQ-102RC	1 to 6g · cm (0.01 to 0.08oz · inch)
Fast Forward, Rewind	CQ-201B	70 to 120g · cm (0.98 to 1.67 oz · inch)

LINE IN/OUT Terminal (CNJ401)



SECTION 4 ELECTRICAL ADJUSTMENTS

PRECAUTION

1. The adjustment should be performed in the publication.
(Be sure to make playback adjustment at first.)
2. The adjustment and measurement should be performed for both L-CH and R-CH.
 - Switch position
DOLBY NR switch : OFF

Test Tape

Tape	Contents	Use
P-4-A100	10kHz, -10dB	Azimuth Adjustment
P-4-L300	315Hz, 0dB	Level Adjustment
WS-48B	3kHz, 0dB	Tape Speed Adjustment

Record/Playback Head Azimuth Adjustment

DECK A **DECK B**

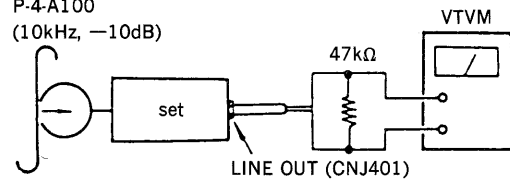
Procedure :

1. Forward Playback Mode

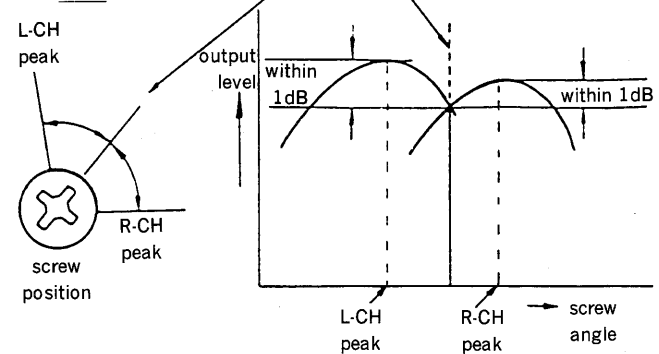
test tape

P-4-A100

(10kHz, -10dB)

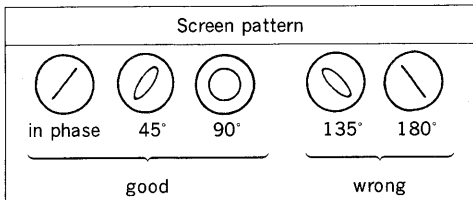
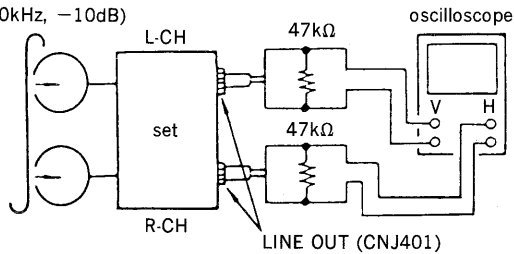


2. Turn the adjustment screw for the maximum output levels. If these levels do not match, turn the adjustment screw until both of output levels match together within 1dB.



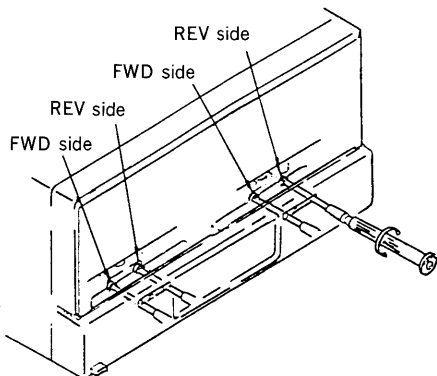
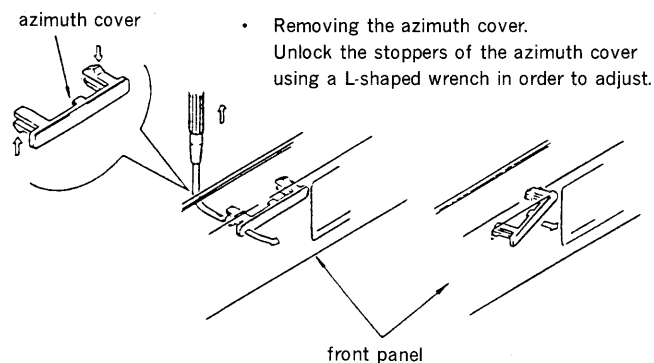
3. Playback Mode

test tape
P-4-A100
(10kHz, -10dB)



- Change the reverse playback mode and repeat the steps 1 to 3.
- After the adjustment, lock the adjustment screw with suitable locking compound.

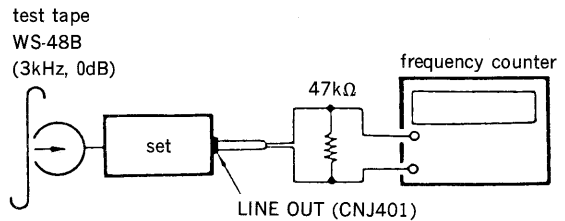
Adjustment Location : —record/playback head—



Tape Speed Adjustment DECK A DECK B

Procedure :

—Forward Playback Mode—



Perform high speed adjustment before normal speed adjustment.

(High speed adjustment)

- Short TP601 (TC main board) when the power is OFF.
- Turn on the power and put the deck A into the FWD mode.
- Push the DUBBING MODE switch and set display to HIGH. (The set enters into high speed playback mode.)
- Adjust RV72A (H) of the deck A so that a reading of the frequency counter meets the adjustment value.
- Adjust the RV72B (H) of deck B performing steps 2 to 5 as deck A.

(Normal speed adjustment)

- Put the set into the FWD playback mode.
- At this time, adjust RV71A (L) of the deck A and RV71B (L) of the deck B so that a reading of the frequency counter meets the adjustment value.

Adjustment Limits :

Speed	Frequency Counter Reading
High	6,000 ± 30Hz
Normal	3,000 ± 15Hz

Frequency difference between the beginning and the end of the tape should be within 3%.

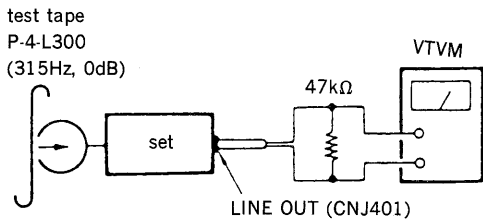
Frequency difference between deck A and deck B the beginning of the tape should be within 1%.

Adjustment Location : MD-A board
MD-B HX PRO board

Playback Level Adjustment DECK A DECK B

Procedure :

—Forward Playback Mode—



Adjust deck A : RV11A (L-CH), RV21A (R-CH) and deck B : RV11B (L-CH), RV21B (R-CH) so that the VTVM reading becomes the adjustment limits below.

Adjustment Limits :

LINE OUT level : $-7.5 \pm 0.5\text{dB}$ (0.31 to 0.35V)

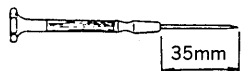
Level Difference between Channels : within 0.5dB

Confirm the LINE OUT level does not change in playback mode while changing the mode from playback to stop several times.

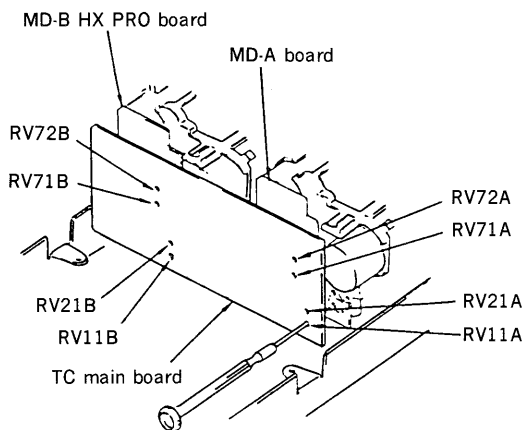
Adjustment Location : MD-A Board
MD-B HX PRO Board

Tape Speed/playback Level Adjustment

Screwdriver to adjust the MD block



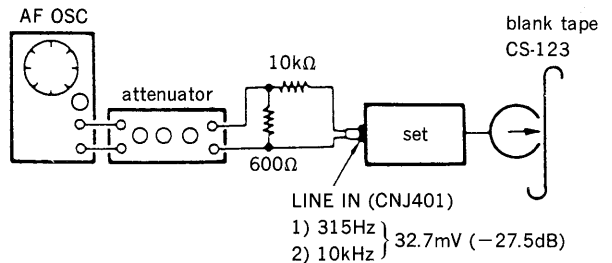
The MD block adjustment can be performed by inserting a screwdriver of which axis length (not including the shaft) is 35 mm or more through the rear side of the main board.



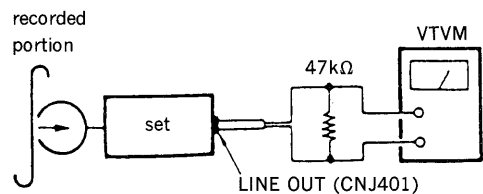
Record Bias Adjustment DECK B

Procedure :

1. Record Mode



2. Playback Mode



Playback the signal recorded in step 1.

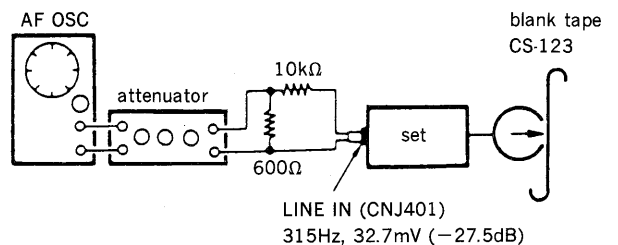
Confirm that the 10kHz playback output is $0 \pm 0.5\text{dB}$ (0.732 to 0.821V) relative to the 315Hz output. if necessary. adjust RV81 (L-CH), RV91 (R-CH) and repeat the steps given above.

Adjustment Location : MD-B HX PRO board

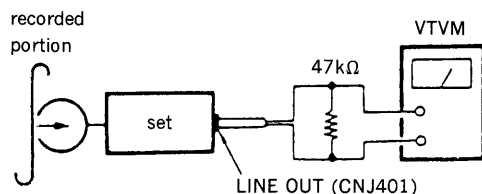
Record Level Adjustment DECK B

Procedure :

1. Record Mode



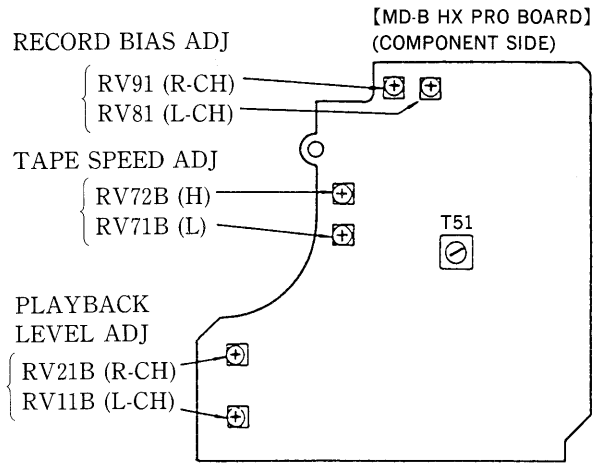
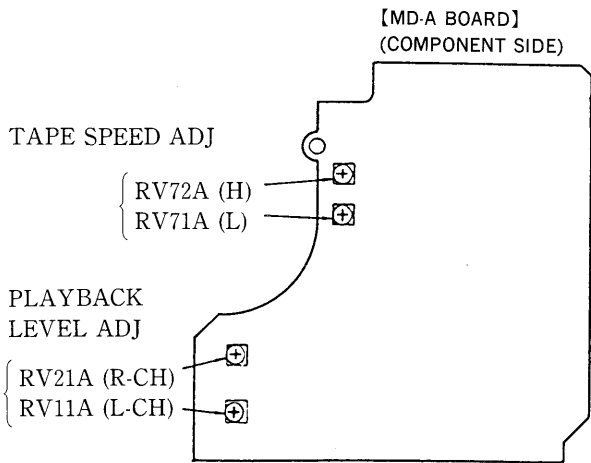
2. Playback Mode



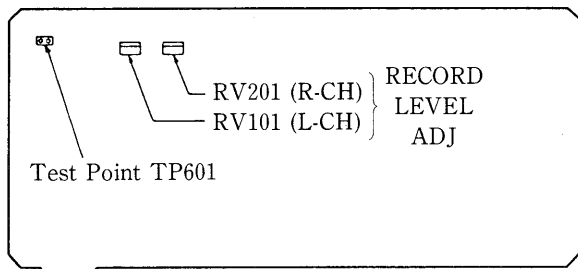
Confirm playback the tape recorded become adjustment level as follows.

If necessary, adjust RV101 (L-CH), RV201 (R-CH) and repeat steps 1 and 2.

Adjustment Location :

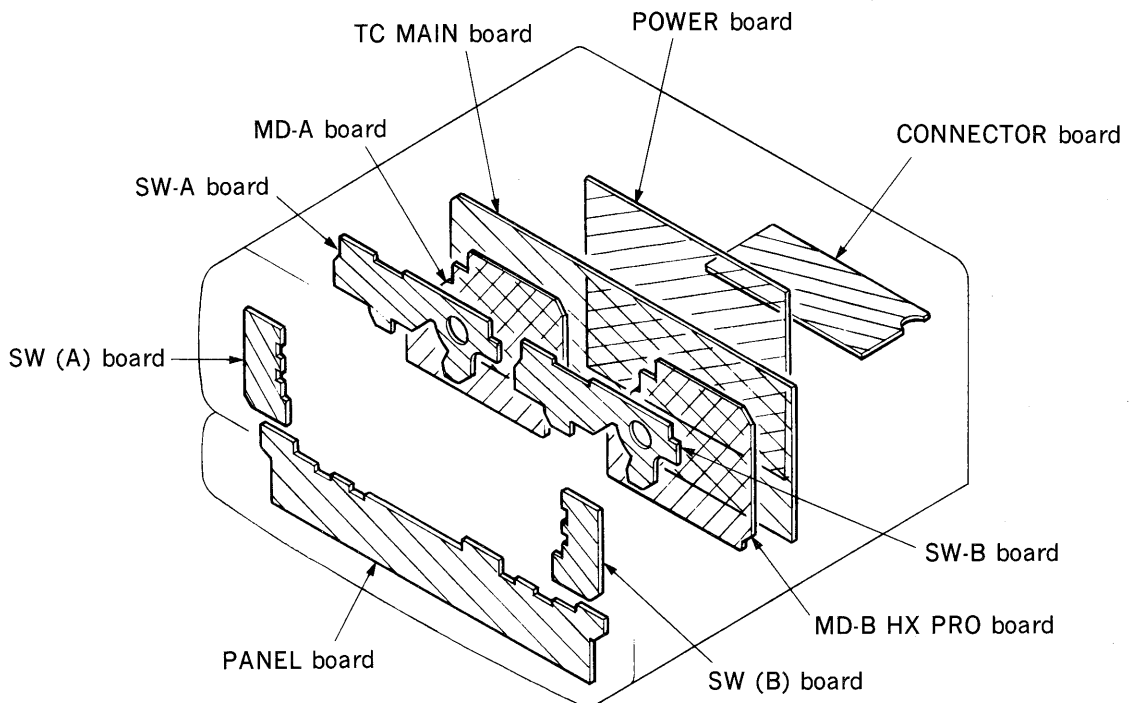


[TC MAIN BOARD] (COMPONENT SIDE)



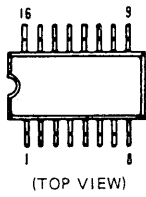
**SECTION 5
DIAGRAMS**

5-1. CIRCUIT BOARDS LOCATION

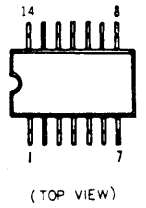


5-2. SEMICONDUCTOR LEAD LAYOUTS

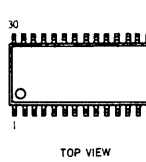
**CD4052BCM
CXA1578M**



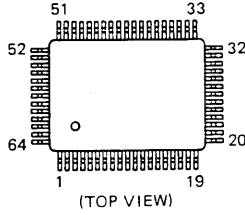
CD4066BCM



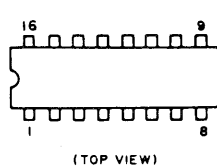
CXA1331M



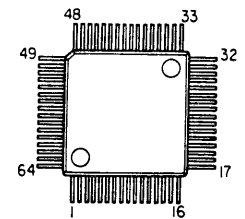
HD-614023-FA93



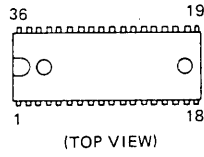
HD14053BFP



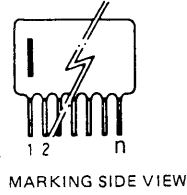
M38022M4-072FP



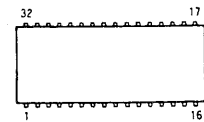
M50925-482FP



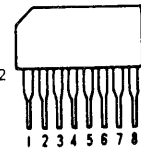
M5207L05



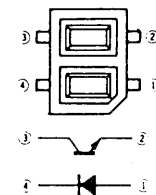
M5218AFP



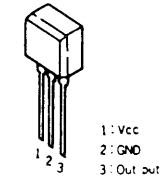
M5230L-A



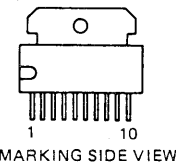
NJL5165K-B



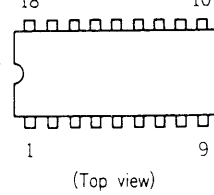
PST572E



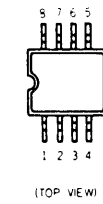
TA7272P



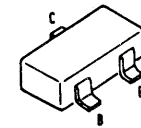
μPC1297CA



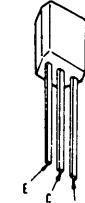
μPC4570G2



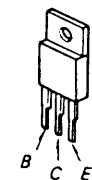
**DTA144EK
RN1402
2SA1162-G
2SA1602
2SC3395
2SC3624A-L15
2SC3900
2SC4154**



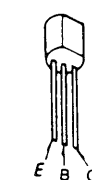
2SA1344



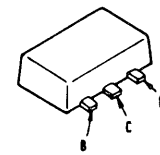
**2SB1094-LK
2SD2012**



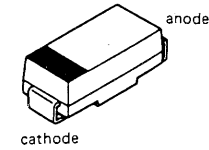
2SB1116



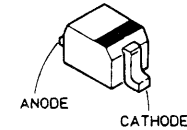
**2SB1122-S
2SD1622-S**



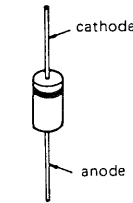
EC10DS2



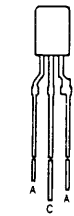
**MA8056
MA8062
MA8091
02DZ2.0-TPH3
02DZ20-TPHR3
1SS352**



10E2



SML1260S

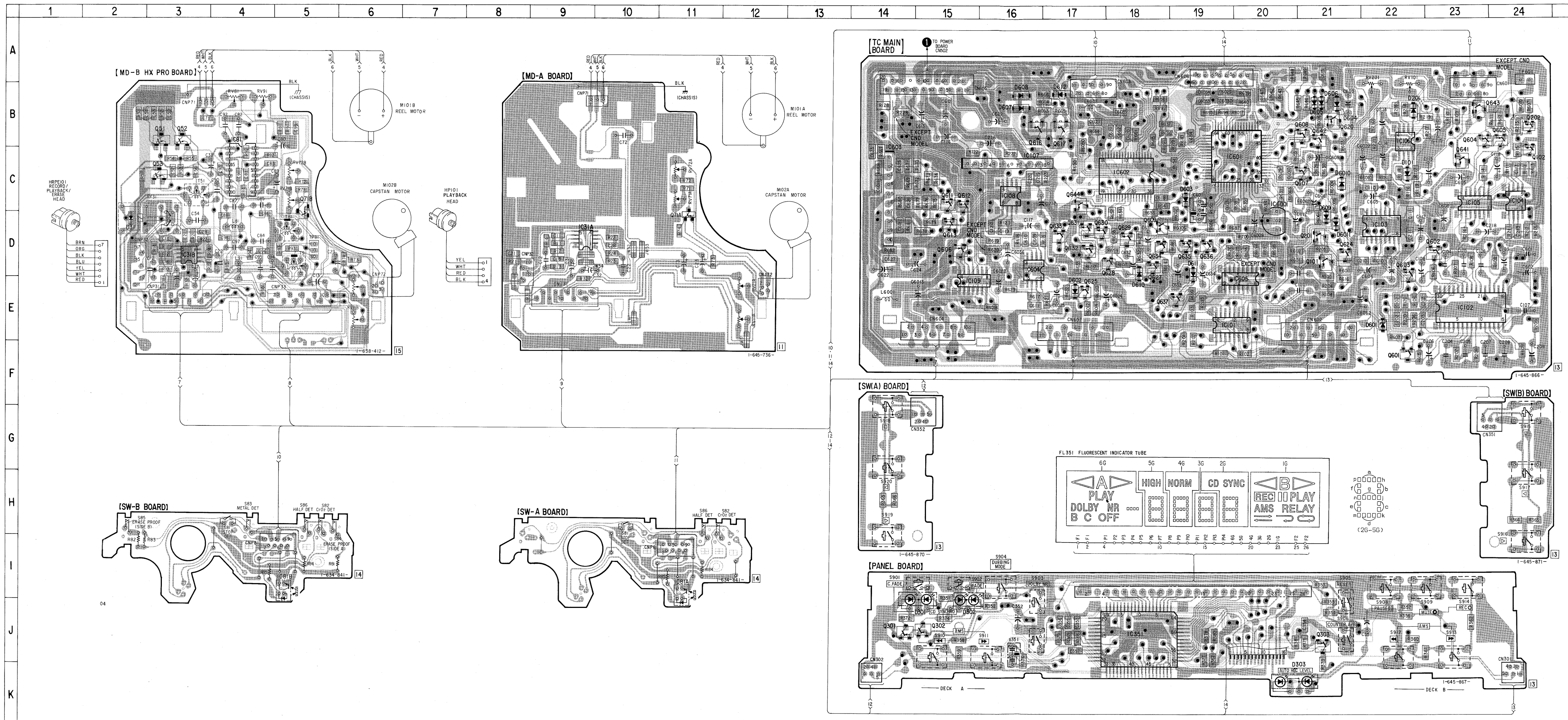


● Semiconductor Location

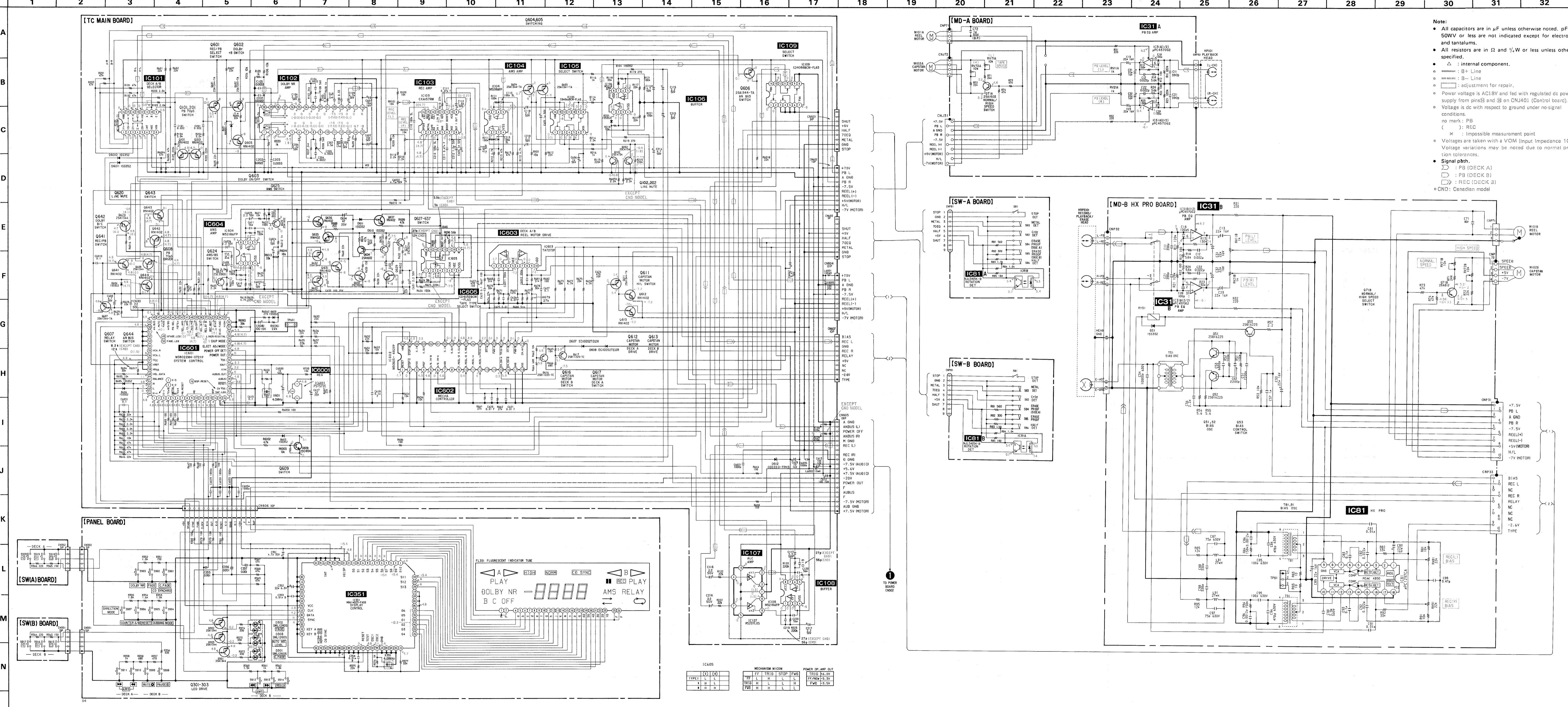
Ref. No.	Location	Ref. No.	Location
D31	D-2	Q52	B-3
D101	C-22	Q53	C-3
D201	B-22	Q71A	D-11
D301	J-15	Q71B	C-5
D302	J-15	Q101	D-21
D303	K-20	Q102	C-24
D601	E-22	Q201	D-21
D602	E-17	Q202	B-24
D603	C-19	Q301	J-14
D604	B-21	Q302	J-15
D605	B-21	Q303	J-21
D606	B-21	Q601	F-22
D607	B-16	Q602	D-23
D608	B-16	Q603	D-22
D609	D-21	Q604	B-23
D610	D-18	Q605	B-24
D611	D-19	Q606	D-15
D612	B-17	Q607	C-21
D6010	C-21	Q608	B-21
D6011	D-21	Q609	D-18
		Q611	C-15
IC31A	D-9	Q612	C-15
IC31B	D-3	Q613	D-15
IC81	C-4	Q616	B-16
IC81A	I-11	Q617	B-17
IC81B	I-5	Q620	B-21
IC101	E-19	Q624	D-21
IC102	E-23	Q625	E-17
IC103	D-22	Q627	D-18
IC104	C-24	Q628	D-17
IC105	C-23	Q629	D-18
IC106	B-22	Q630	D-17
IC107	C-16	Q631	D-17
IC108	C-16	Q632	D-17
IC109	E-15	Q633	D-17
IC351	J-18	Q634	D-18
IC601	C-19	Q635	D-19
IC602	C-18	Q636	D-19
IC603	C-14	Q637	E-19
IC604	D-16	Q641	C-23
IC605	E-20	Q642	B-21
IC6001	D-20	Q643	B-23
		Q644	C-17
Q51	B-3		

Note:
 ○ : parts extracted from the component side.
 ○ : indicates side identified with part number.
 ● : Through hole.
 ▨ : Pattern on the side which is seen.
 ▩ : Pattern of the rear side.
 ●CND: Canadian model

5-3. PRINTED WIRING BOARDS—MAIN SECTION — ● Refer to page 10 for Semiconductor Lead Layouts.



5-4. SCHEMATIC DIAGRAM—MAIN SECTION— Refer to page 20 for IC Block Diagrams.

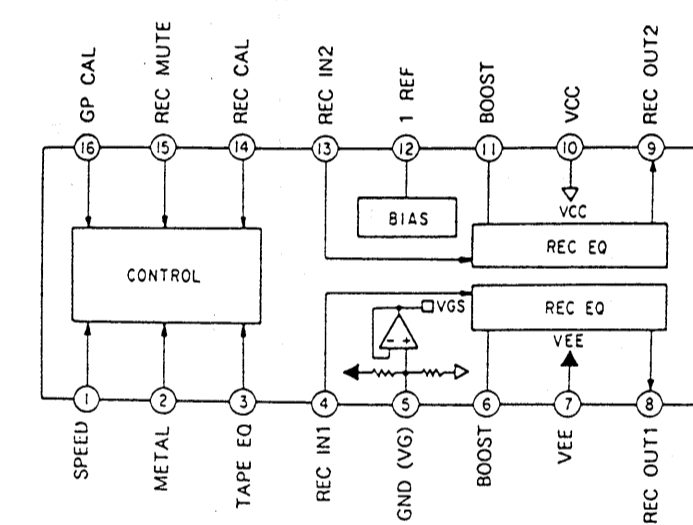


- Note:
- All capacitors are in μF unless otherwise noted. pF : μF 50WV or less are not indicated except for electrolytics and tantalums.
 - All resistors are in Ω and $1/4\text{W}$ or less unless otherwise specified.
 - Δ : internal component.
 - --- : B+ Line
 - --- : B- Line
 - --- : adjustment for repair.
 - Power voltage is AC118V and fed with regulated dc power supply from pins 5 and 10 on CNJ401 (Control board).
 - Voltage is dc with respect to ground under no-signal conditions.
 - no mark: PB
 - (): REC
 - (x): Impossible measurement point
 - Voltagess are taken with a VOM (Input Impedance 10M Ω). Voltage variations may be noted due to normal production tolerances.
 - Signal path.
 - --- : PB (DECK A)
 - --- : PB (DECK B)
 - --- : REC (DECK A)
 - --- : REC (DECK B)
 - --- : CND: Canadian model

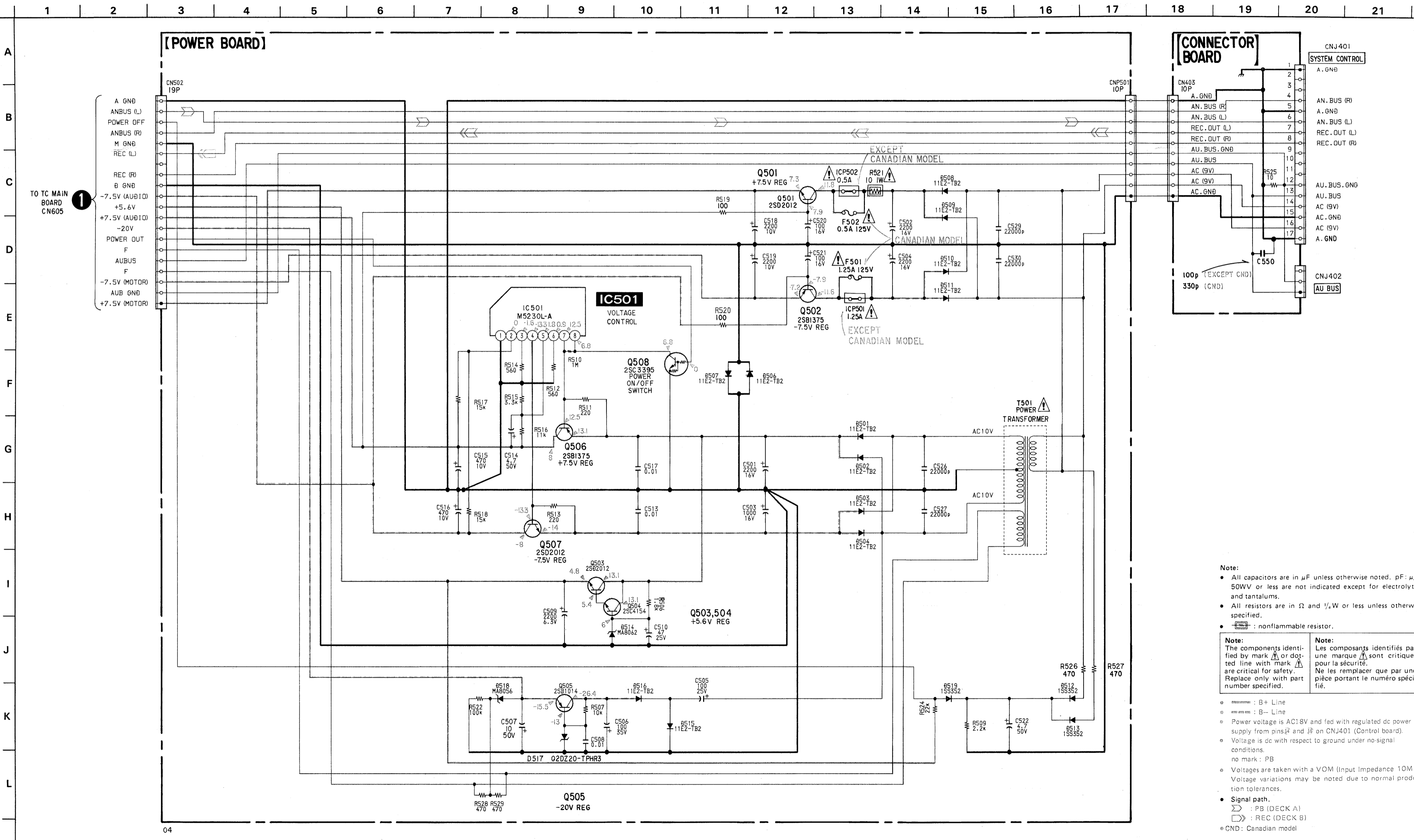
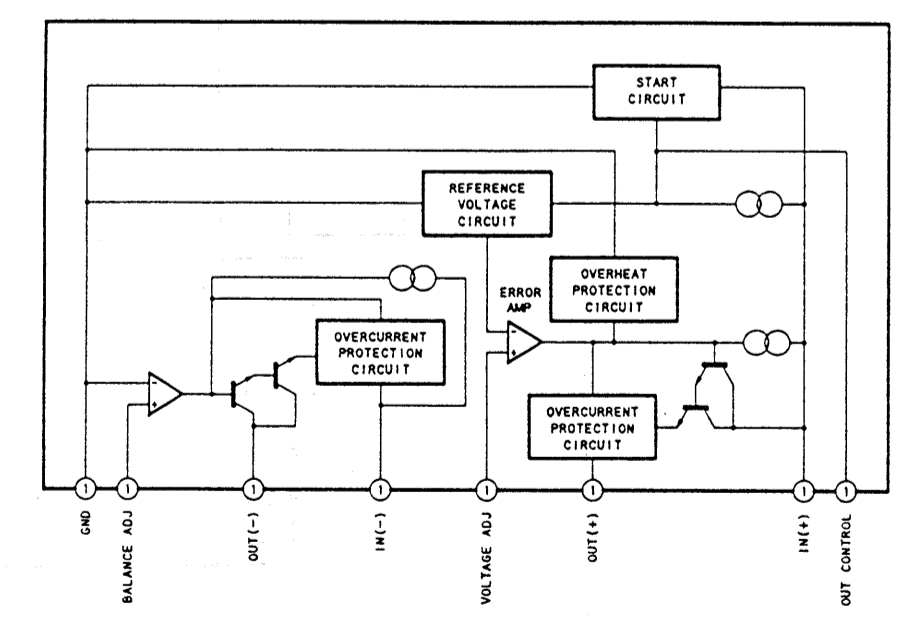
IC605		MECHANISM MICOM				POWER OP. AMP. OUT	
TYPE	CO	FF	TRIG	STOP	FWD	TRIG	HALT
1	L	L	L	L	L	L	L
2	H	L	L	L	H	L	L
3	H	H	L	L	L	L	L

5-5. SCHEMATIC DIAGRAM—CONNECTOR/POWER SECTION—

• IC Block Diagrams
IC103 CXA1578M



IC501 M5230L-A



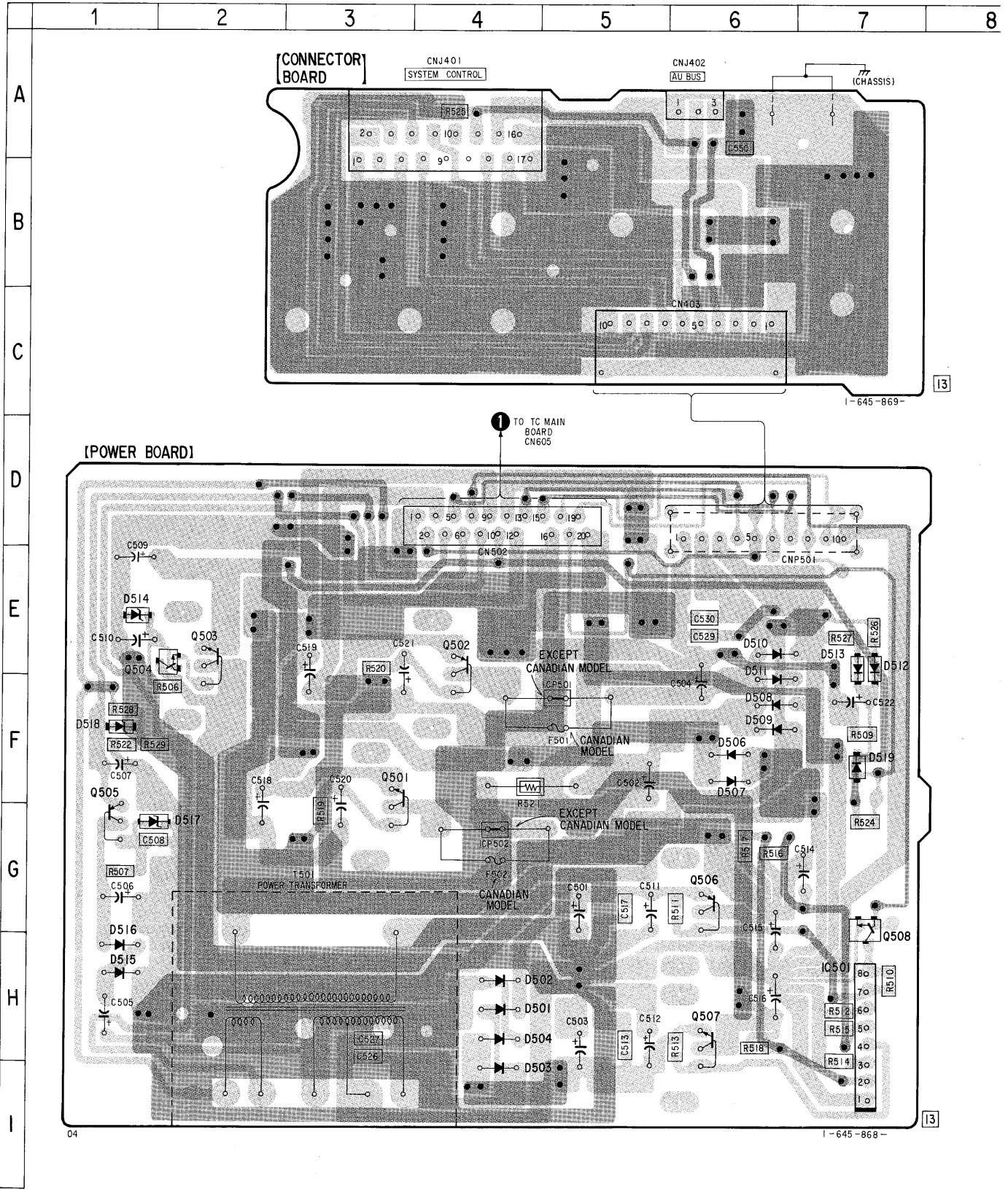
- Note:
• All capacitors are in μF unless otherwise noted. $\text{pF} = \mu\text{F}$ 50WV or less are not indicated except for electrolytics and tantalums.
• All resistors are in Ω and $\frac{1}{2}\text{W}$ or less unless otherwise specified.
• \triangle : nonflammable resistor.
- Note:
The components identified by mark Δ or dotted line with mark Δ are critical for safety. Replace only with part number specified.
- Note:
Les composants identifiés par une marque Δ sont critiques pour la sécurité. Ne les remplacer que par une pièce portant le numéro spécifié.
- Note:
• Power voltage is AC18V and fed with regulated dc power supply from pins 2 and 3 on CNJ401 (Control board).
• Voltage is dc with respect to ground under no-signal conditions.
• Voltages are taken with a VOM (Input Impedance 10M Ω). Voltage variations may be noted due to normal production tolerances.
- Signal path.
◁ : PB (DECK A)
▷ : REC (DECK B)
• CND: Canadian model

• Semiconductor Location

Ref. No.	Location
D501	H-4
D502	H-4
D503	I-4
D504	H-4
D506	F-6
D507	F-6
D508	F-6
D509	F-6
D510	E-6
D511	F-6
D512	E-7
D513	E-7
D514	E-1
D515	H-1
D516	H-1
D517	G-1
D518	F-1
D519	F-7
IC501	H-7
Q501	G-3
Q502	E-4
Q503	E-2
Q504	E-2
Q505	G-1
Q506	G-6
Q507	H-6
Q508	G-7

5-6. PRINTED WIRING BOARDS—CONNECTOR/POWER SECTION—

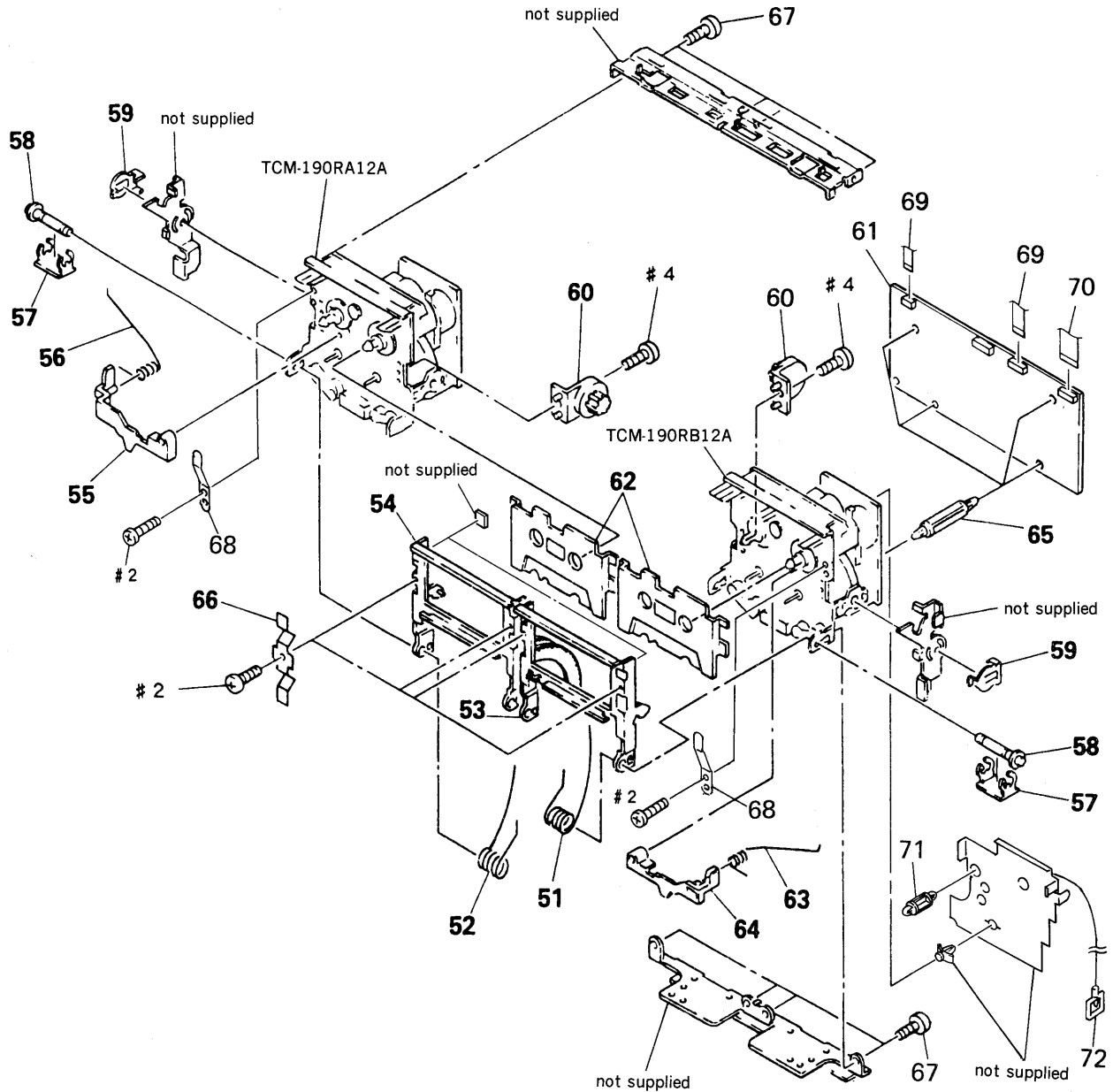
• Refer to page 10 for Semiconductor Lead Layouts.



Note:

- ○ — : parts extracted from the component side.
- ● : Through hole.
- [Pattern] : Pattern on the side which is seen.
- [Pattern] : Pattern of the rear side.
- CND : Canadian model

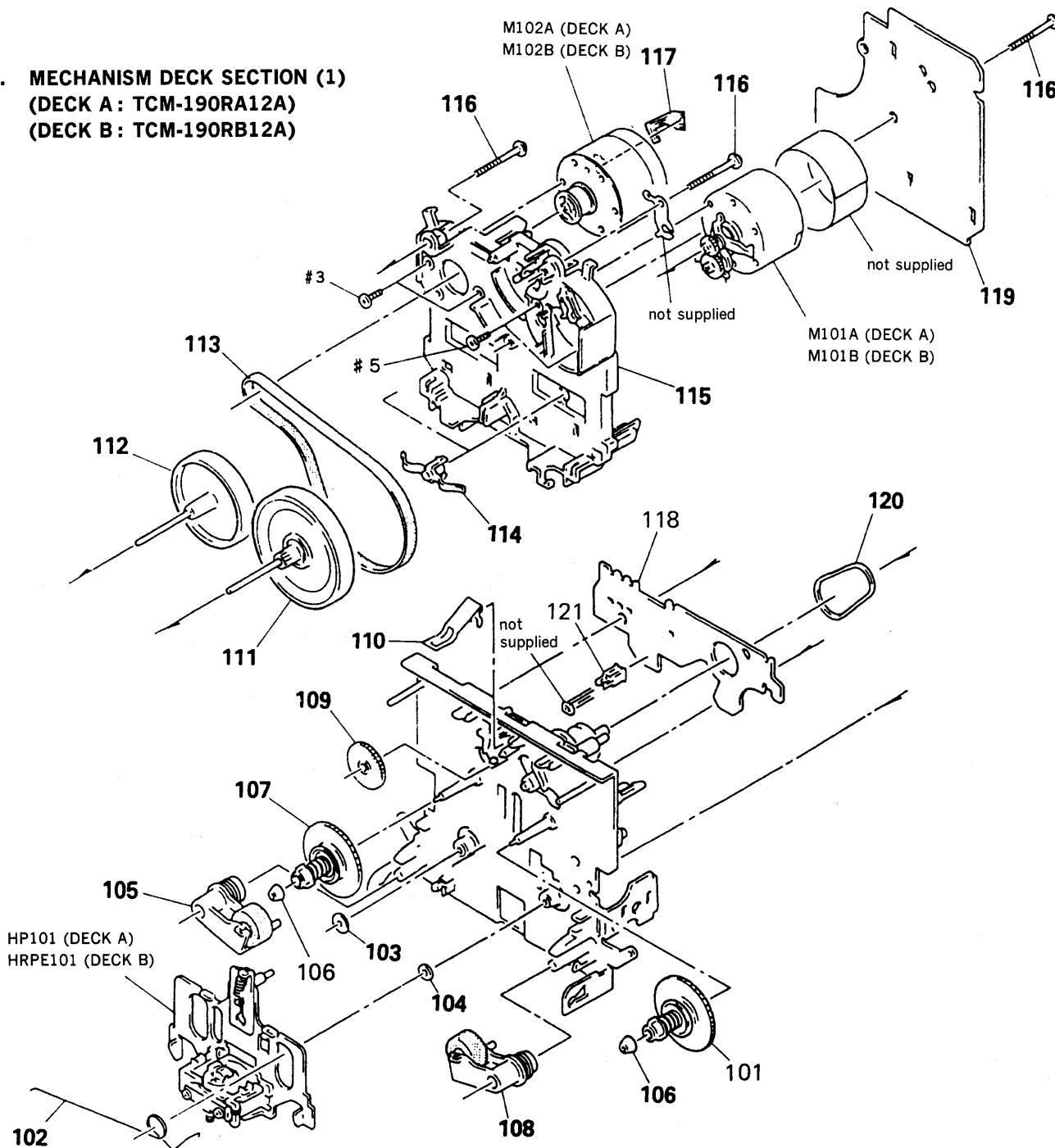
6-2. CASSETTE HOLDER SECTION



Ref. No.	Part No.	Description	Remark
51	3-354-960-01	SPRING (LOADING R), TORSION	
52	3-354-959-01	SPRING (LOADING L), TORSION	
53	X-3362-856-1	HOLDER (R) ASSY, CASSETTE	
54	X-3362-857-1	HOLDER (L) ASSY, CASSETTE	
55	3-354-955-01	LEVER (EJECT SAFETY LEVER L)	
56	3-354-961-01	SPRING (EJECT SAFETY SPRING L)	
57	3-367-720-01	RING (W), RETAINING	
58	3-367-721-01	SHAFT (FULCRUM SHAFT)	
59	3-354-957-01	JOINT (LOCK LEVER)	
60	3-354-963-01	DAMPER	
* 61	A-2006-966-A	TC MAIN BOARD, COMPLETE (AEP, UK, IT)	
* 61	A-2006-990-A	TC MAIN BOARD, COMPLETE (E, AUS, EA, JE, MY, SP)	
* 61	A-2007-032-A	TC MAIN BOARD, COMPLETE (German)	
* 61	A-2007-050-A	TC MAIN BOARD, COMPLETE (CND)	

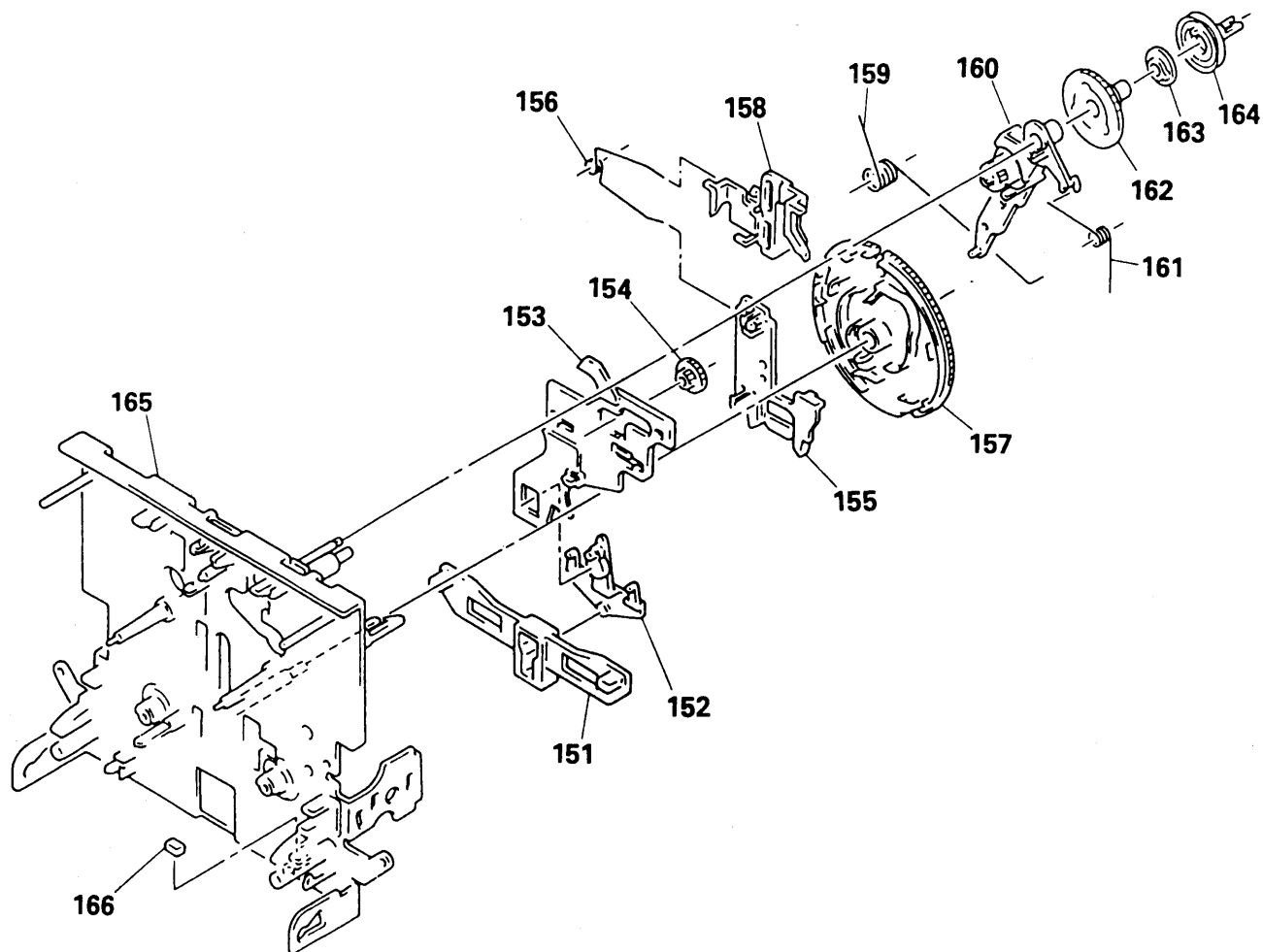
Ref. No.	Part No.	Description	Remark
62	3-367-711-01	RETAINER, CASSETTE	
63	3-354-962-01	SPRING (EJECT SAFETY SPRING R)	
64	3-354-956-01	LEVER (EJECT SAFETY LEVER R)	
* 65	3-682-419-21	HOLDER, P.C.B.	
66	3-340-137-01	SPRING, CASSETTE RETAINER	
67	4-951-620-01	SCREW (2.6X8), +BVTTP	
68	3-384-275-01	DETENT, HOLDER	
69	1-590-902-11	WIRE (FLAT TYPE) (9 CORE)	
70	1-696-748-11	WIRE (FLAT TYPE) (19 CORE)	
* 71	3-682-419-11	HOLDER, P.C.B.	
* 72	1-690-880-31	LEAD (WITH CONNECTOR)	

6-3. MECHANISM DECK SECTION (1)
(DECK A : TCM-190RA12A)
(DECK B : TCM-190RB12A)



Ref. No.	Part No.	Description	Remark	Ref. No.	Part No.	Description	Remark
101	X-3359-404-1	TABLE ASSY, REEL		116	3-359-414-01	SCREW (+PTPWH 2X23)	
102	3-359-455-01	SPRING, TORSION		117	1-638-983-11	MOTOR FLEXIBLE BOARD	
103	3-356-714-01	WASHER		118	1-634-841-14	SW-A BOARD (DECK A)	
104	3-356-713-01	WASHER		118	1-634-841-14	SW-B BOARD (DECK B)	
105	X-3359-409-1	LEVER (PINCH LEVER REV) ASSY		* 119	A-2006-399-A	MD-A BOARD, COMPLETE	
106	3-362-308-01	CAP (REEL)		* 119	A-2006-401-A	MD-B HX PRO BOARD, COMPLETE	
107	X-3362-078-1	TABLE ASSY (B), REEL		120	3-359-466-01	BELT (FR), SQUARE	
108	X-3359-408-1	LEVER (PINCH LEVER FWD) ASSY		121	3-343-419-01	HOLDER (S SENSOR A)	
109	3-359-424-01	GEAR (REVERSE GEAR)		HP101	A-2003-837-F	BASE ASSY, HEAD (DECK A)	
110	3-359-430-01	SPRING (CASSETTE RETAINER), LEAF		HRPE101	A-2003-838-A	BASE ASSY, HEAD (DECK B)	
111	X-3359-406-1	FLYWHEEL (FWD) ASSY		M101A	X-3363-501-1	MOTOR ASSY, REEL (DECK A)	
112	X-3359-410-1	FLYWHEEL (REV) ASSY		M101B	X-3363-501-1	MOTOR ASSY, REEL (DECK B)	
113	3-359-417-01	BELT (FLAT), CAPSTAN		M102A	X-3359-417-1	MOTOR ASSY, CAPSTAN (DECK A)	
114	3-575-321-00	RETAINER, THRUST, CAPSTAN		M102B	X-3359-417-1	MOTOR ASSY, CAPSTAN (DECK B)	
* 115	3-359-436-01	BASE (THRUST RETAINER), FITTING					

6-4. MECHANISM DECK SECTION (2)
(DECK A : TCM-190RA12A)
(DECK B : TCM-190RB12A)



Ref. No.	Part No.	Description	Remark	Ref. No.	Part No.	Description	Remark
* 151	3-359-425-01	SLIDER (REVERSE SLIDER)		159	3-359-456-01	SPRING (TRIGGER SPRING), TORSION	
152	3-359-426-01	LEVER (REVERSE LEVER)		160	X-3359-405-1	LEVER (FR ARM) ASSY	
* 153	3-359-415-01	SLIDER (TRIGGER SLIDER)		161	3-359-453-01	SPRING (FR ARM), TORSION	
154	3-359-448-01	GEAR (TRIGGER)		162	3-359-419-01	GEAR (FR GEAR)	
* 155	3-359-427-01	SLIDER (REVERSE SLIDER)		163	3-359-421-01	CLUTCH (REEL DISK)	
156	3-359-454-01	SPRING, TORSION		164	3-359-418-01	PULLEY (FR PULLEY)	
157	3-359-420-01	GEAR (CAM GEAR)		165	X-3363-790-1	CHASSIS ASSY, MECHANICAL	
158	3-359-429-01	SLIDER (BRAKE PLATE)		166	3-359-469-01	SPACER	

SECTION 7 ELECTRICAL PARTS LIST

CONNECTOR

MD-A

NOTE:

- Due to standardization, replacements in the parts list may be different from the parts specified in the diagrams or the components used on the set.
- -XX and -X mean standardized parts, so they may have some difference from the original one.
- RESISTORS
All resistors are in ohms.
METAL: Metal-film resistor.
METAL OXIDE: Metal oxide-film resistor.
F: nonflammable

- Items marked "*" are not stocked since they are seldom required for routine service. Some delay should be anticipated when ordering these items.

● SEMICONDUCTORS

In each case, u: μ , for example:
uA ..: μ A. uPA..: μ PA.
uPB..: μ PB. uPC..: μ PC. uPD..: μ PD..

● CAPACITORS

uF: μ F

● COILS

uH: μ H

● Abbreviations

CND : Canadian model JE : Tourist model
IT : Italian model MY : Malaysia model
AUS : Australian model SP : Singapore model
EA : Saudi Arabia model

The components identified by mark Δ or dotted line with mark Δ are critical for safety. Replace only with part number specified.

Les composants identifiés par une marque Δ sont critiques pour la sécurité. Ne les remplacer que par une pièce portant le numéro spécifié.

When indicating parts by reference number, please include the board.

Ref. No.	Part No.	Description	Remark
*	1-645-869-11	CONNECTOR BOARD *****	
		< CAPACITOR >	
C550	1-163-117-00	CERAMIC CHIP 100PF	5% 50V
		(EXCEPT CND)	
C550	1-163-129-00	CERAMIC CHIP 330PF	5% 50V
		(CND)	
		< CONNECTOR >	
* CN403	1-569-505-11	PIN, CONNECTOR 10P	
CNJ401	1-569-624-21	SOCKET, CONNECTOR 17P (SYSTEM CONTROL)	
* CNJ402	1-565-561-11	PIN, CONNECTOR 3P (AU BUS)	
		< RESISTOR >	
R525	1-216-001-00	METAL CHIP 10 5%	1/10W

*	A-2006-399-A	MD-A BOARD, COMPLETE *****	
		< CAPACITOR >	
C11	1-163-131-00	CERAMIC CHIP 390PF	5% 50V
C12	1-136-157-00	FILM 0.022uF	5% 50V
C13	1-124-234-00	ELECT 22uF	20% 16V
C18	1-163-117-00	CERAMIC CHIP 100PF	5% 50V
C21	1-163-131-00	CERAMIC CHIP 390PF	5% 50V
C22	1-136-157-00	FILM 0.022uF	5% 50V
C23	1-124-234-00	ELECT 22uF	20% 16V
C28	1-163-117-00	CERAMIC CHIP 100PF	5% 50V
C31	1-124-234-00	ELECT 22uF	20% 16V
C32	1-124-234-00	ELECT 22uF	20% 16V
C72	1-124-499-11	ELECT, NONPOLAR 1uF	20% 50V
		< CONNECTOR >	
* CNJ31	1-580-782-11	CONNECTOR, BOARD TO BOARD 10P	
* CNJ72	1-580-411-11	SOCKET, CONNECTOR 4P	
* CNP32	1-580-772-11	PIN, CONNECTOR (PC BOARD) 4P	
* CNP71	1-564-719-11	PIN, CONNECTOR (SMALL TYPE) 3P	

Ref. No.	Part No.	Description	Remark
		< IC >	
IC31A	8-759-106-02	IC uPC4570G2	
		< JUMPER RESISTOR >	
JW1	1-216-295-00	METAL CHIP 0 5%	1/10W
JW51	1-216-296-00	METAL CHIP 0 5%	1/8W
JW52	1-216-296-00	METAL CHIP 0 5%	1/8W
JW53	1-216-296-00	METAL CHIP 0 5%	1/8W
JW54	1-216-296-00	METAL CHIP 0 5%	1/8W
		< TRANSISTOR >	
Q71A	8-729-602-36	TRANSISTOR 2SA1602	
		< RESISTOR >	
R11	1-216-099-00	METAL CHIP 120K 5%	1/10W
R12	1-216-025-00	METAL CHIP 100 5%	1/10W
R13	1-216-100-00	METAL GLAZE 130K 5%	1/10W
R14	1-216-067-00	METAL CHIP 5.6K 5%	1/10W
R21	1-216-099-00	METAL CHIP 120K 5%	1/10W
R22	1-216-025-00	METAL CHIP 100 5%	1/10W
R23	1-216-100-00	METAL GLAZE 130K 5%	1/10W
R24	1-216-067-00	METAL CHIP 5.6K 5%	1/10W
R31	1-216-033-00	METAL CHIP 220 5%	1/10W
R32	1-216-033-00	METAL CHIP 220 5%	1/10W
R71	1-216-082-00	METAL GLAZE 24K 5%	1/10W
R72	1-216-081-00	METAL CHIP 22K 5%	1/10W
R73	1-216-089-00	METAL CHIP 47K 5%	1/10W
R74	1-216-089-00	METAL CHIP 47K 5%	1/10W
		< VARIABLE RESISTOR >	
RV11A	1-241-627-11	RES, ADJ, CARBON 1K	
RV21A	1-241-627-11	RES, ADJ, CARBON 1K	
RV71A	1-241-630-11	RES, ADJ, CARBON 10K	
RV72A	1-241-630-11	RES, ADJ, CARBON 10K	

Ref. No.	Part No.	Description	Remark		
*	A-2006-401-A	MD-B HX PRO BOARD, COMPLETE			

		< CAPACITOR >			
C11	1-163-131-00	CERAMIC CHIP	390PF	5%	50V
C12	1-136-157-00	FILM	0.022uF	5%	50V
C13	1-124-234-00	ELECT	22uF	20%	16V
C18	1-163-117-00	CERAMIC CHIP	100PF	5%	50V
C21	1-163-131-00	CERAMIC CHIP	390PF	5%	50V
C22	1-136-157-00	FILM	0.022uF	5%	50V
C23	1-124-234-00	ELECT	22uF	20%	16V
C28	1-163-117-00	CERAMIC CHIP	100PF	5%	50V
C31	1-124-234-00	ELECT	22uF	20%	16V
C32	1-124-234-00	ELECT	22uF	20%	16V
C33	1-124-234-00	ELECT	22uF	20%	16V
C51	1-164-161-11	CERAMIC CHIP	0.0022uF	10%	100V
C52	1-164-161-11	CERAMIC CHIP	0.0022uF	10%	100V
C53	1-163-019-00	CERAMIC CHIP	0.0068uF	10%	50V
C54	1-136-601-11	FILM	0.01uF	5%	630V
C56	1-164-505-11	CERAMIC CHIP	2.2uF		16V
C57	1-164-346-11	CERAMIC CHIP	1uF		16V
C71	1-164-346-11	CERAMIC CHIP	1uF		16V
C80	1-124-234-00	ELECT	22uF	20%	16V
C81	1-164-232-11	CERAMIC CHIP	0.01uF		50V
C82	1-136-157-00	FILM	0.022uF	5%	50V
C83	1-164-004-11	CERAMIC CHIP	0.1uF	10%	25V
C84	1-136-478-11	FILM	470PF	5%	630V
C85	1-136-433-11	FILM	100PF	5%	630V
C86	1-163-143-00	CERAMIC CHIP	0.0012uF	5%	50V
C87	1-136-273-91	FILM	75PF	5%	630V
C88	1-163-003-11	CERAMIC CHIP	330PF	10%	50V
C89	1-124-234-00	ELECT	22uF	20%	16V
C90	1-107-045-00	MICA	3.9PF		500V
C91	1-164-232-11	CERAMIC CHIP	0.01uF		50V
C92	1-136-157-00	FILM	0.022uF	5%	50V
C93	1-164-004-11	CERAMIC CHIP	0.1uF	10%	25V
C94	1-136-478-11	FILM	470PF	5%	630V
C95	1-136-433-11	FILM	100PF	5%	630V
C96	1-163-143-00	CERAMIC CHIP	0.0012uF	5%	50V
C97	1-136-273-91	FILM	75PF	5%	630V
C98	1-163-003-11	CERAMIC CHIP	330PF	10%	50V
C99	1-164-005-11	CERAMIC CHIP	0.47uF		25V
		< CONNECTOR >			
* CNP31	1-580-782-11	CONNECTOR, BOARD TO BOARD	10P		
* CNP32	1-580-781-11	PIN, CONNECTOR (PC BOARD)	7P		
* CNP33	1-580-782-11	CONNECTOR, BOARD TO BOARD	10P		
* CNP71	1-564-719-11	PIN, CONNECTOR (SMALL TYPE)	3P		
* CNP72	1-580-411-11	SOCKET, CONNECTOR	4P		

Ref. No.	Part No.	Description	Remark		
		< DIODE >			
D31	8-719-016-74	DIODE	1SS352		
		< IC >			
IC31B	8-759-106-02	IC	uPC4570G2		
IC81	8-759-106-56	IC	uPC1297CA		
		< INDUCTOR >			
L81	1-410-780-11	INDUCTOR		27mH	
L91	1-410-780-11	INDUCTOR		27mH	
		< TRANSISTOR >			
Q51	8-729-808-01	TRANSISTOR	2SD1622-S		
Q52	8-729-808-01	TRANSISTOR	2SD1622-S		
Q53	8-729-808-01	TRANSISTOR	2SD1622-S		
Q71B	8-729-216-22	TRANSISTOR	2SA1162-G		
		< RESISTOR >			
R11	1-216-099-00	METAL CHIP	120K	5%	1/10W
R12	1-216-025-00	METAL CHIP	100	5%	1/10W
R13	1-216-100-00	METAL GLAZE	130K	5%	1/10W
R14	1-216-067-00	METAL CHIP	5.6K	5%	1/10W
R21	1-216-099-00	METAL CHIP	120K	5%	1/10W
R22	1-216-025-00	METAL CHIP	100	5%	1/10W
R23	1-216-100-00	METAL GLAZE	130K	5%	1/10W
R24	1-216-067-00	METAL CHIP	5.6K	5%	1/10W
R31	1-216-033-00	METAL CHIP	220	5%	1/10W
R32	1-216-033-00	METAL CHIP	220	5%	1/10W
R51	1-216-097-00	METAL CHIP	100K	5%	1/10W
R52	1-216-097-00	METAL CHIP	100K	5%	1/10W
R53	1-216-073-00	METAL CHIP	10K	5%	1/10W
R54	1-216-309-00	METAL CHIP	5.6	5%	1/10W
R55	1-216-309-00	METAL CHIP	5.6	5%	1/10W
R57	1-216-298-00	METAL CHIP	2.2	5%	1/10W
R71	1-216-082-00	METAL GLAZE	24K	5%	1/10W
R72	1-216-081-00	METAL CHIP	22K	5%	1/10W
R73	1-216-089-00	METAL CHIP	47K	5%	1/10W
R74	1-216-089-00	METAL CHIP	47K	5%	1/10W
R81	1-216-073-00	METAL CHIP	10K	5%	1/10W
R82	1-216-085-00	METAL CHIP	33K	5%	1/10W
R83	1-216-001-00	METAL CHIP	10	5%	1/10W
R84	1-216-101-00	METAL CHIP	150K	5%	1/10W
R85	1-216-075-00	METAL CHIP	12K	5%	1/10W
R91	1-216-073-00	METAL CHIP	10K	5%	1/10W
R92	1-216-085-00	METAL CHIP	33K	5%	1/10W
R93	1-216-001-00	METAL CHIP	10	5%	1/10W
R94	1-216-101-00	METAL CHIP	150K	5%	1/10W
R95	1-216-075-00	METAL CHIP	12K	5%	1/10W

MD-B HX PRO

PANEL

Ref. No.	Part No.	Description	Remark
< VARIABLE RESISTOR >			
RV11B	1-241-627-11	RES, ADJ, CARBON 1K	
RV21B	1-241-627-11	RES, ADJ, CARBON 1K	
RV71B	1-241-630-11	RES, ADJ, CARBON 10K	
RV72B	1-241-630-11	RES, ADJ, CARBON 10K	
RV81	1-241-122-11	RES, ADJ, CARBON 22K	
RV91	1-241-122-11	RES, ADJ, CARBON 22K	
< RELAY >			
RY31	1-515-913-11	RELAY	
< TRANSFORMER >			
T51	1-406-417-11	COIL, BIAS OSCILLATION	
T81	1-433-381-11	TRANSFORMER, BIAS OSCILLATOR	
T91	1-433-381-11	TRANSFORMER, BIAS OSCILLATOR	
< TEST PIN >			
* TP81	1-568-449-11	HOUSING, CONNECTOR(PC BOARD) 3P	

*	A-2006-967-A	PANEL BOARD, COMPLETE (AEP, UK, IT)	
*	A-2006-991-A	PANEL BOARD, COMPLETE (E, AUS, EA, JE, MY, SP)	
*	A-2007-033-A	PANEL BOARD, COMPLETE (German)	
*	A-2007-051-A	PANEL BOARD, COMPLETE (CND)	

	1-696-749-11	WIRE (FLAT TYPE) (16 CORE)	
*	3-367-839-01	HOLDER, FL TUBE	
< CAPACITOR >			
C351	1-126-163-11	ELECT 4.7uF 20% 50V	
C352	1-124-638-11	ELECT 22uF 20% 10V	
C353	1-164-232-11	CERAMIC CHIP 0.01uF 50V	
C354	1-164-232-11	CERAMIC CHIP 0.01uF 50V	
C355	1-163-141-00	CERAMIC CHIP 0.001uF 5% 50V	
C356	1-163-141-00	CERAMIC CHIP 0.001uF 5% 50V	
C357	1-163-141-00	CERAMIC CHIP 0.001uF 5% 50V	
< CONNECTOR >			
CN301	1-580-472-11	SOCKET, CONNECTOR 5P	
CN302	1-580-472-11	SOCKET, CONNECTOR 5P	
< DIODE >			
D301	8-719-026-64	LED SML1260S (CD SYNCHRO C. FADE)	
D302	8-719-026-64	LED SML1260S (CD SYNCHRO FADE)	
D303	8-719-026-64	LED SML1260S (AUTO REC LEVEL)	

Ref. No.	Part No.	Description	Remark
< FLUORESCENT INDICATOR >			
FL351	1-519-638-11	INDICATOR TUBE, FLUORESCENT	
< IC >			
IC351	8-759-323-35	IC HD-614023-FA93	
< TRANSISTOR >			
Q301	8-729-805-65	TRANSISTOR 2SA1344	
Q302	8-729-805-65	TRANSISTOR 2SA1344	
Q303	8-729-805-65	TRANSISTOR 2SA1344	
< RESISTOR >			
R351	1-216-029-00	METAL CHIP 150 5% 1/10W	
R352	1-216-055-00	METAL CHIP 1.8K 5% 1/10W	
R353	1-216-049-00	METAL CHIP 1K 5% 1/10W	
R354	1-216-054-00	METAL GLAZE 1.6K 5% 1/10W	
R355	1-216-055-00	METAL CHIP 1.8K 5% 1/10W	
R356	1-216-037-00	METAL CHIP 330 5% 1/10W	
R357	1-216-041-00	METAL CHIP 470 5% 1/10W	
R358	1-216-045-00	METAL CHIP 680 5% 1/10W	
R359	1-216-049-00	METAL CHIP 1K 5% 1/10W	
R360	1-216-053-00	METAL CHIP 1.5K 5% 1/10W	
R361	1-216-049-00	METAL CHIP 1K 5% 1/10W	
R362	1-216-055-00	METAL CHIP 1.8K 5% 1/10W	
R367	1-216-089-00	METAL CHIP 47K 5% 1/10W	
R368	1-216-089-00	METAL CHIP 47K 5% 1/10W	
R369	1-216-089-00	METAL CHIP 47K 5% 1/10W	
R372	1-216-037-00	METAL CHIP 330 5% 1/10W	
R373	1-216-037-00	METAL CHIP 330 5% 1/10W	
R374	1-216-037-00	METAL CHIP 330 5% 1/10W	
R375	1-216-081-00	METAL CHIP 22K 5% 1/10W	
R376	1-216-121-00	METAL CHIP 1M 5% 1/10W	
R377	1-216-085-00	METAL CHIP 33K 5% 1/10W	
R378	1-216-025-00	METAL CHIP 100 5% 1/10W	
R379	1-216-025-00	METAL CHIP 100 5% 1/10W	
R380	1-216-025-00	METAL CHIP 100 5% 1/10W	
R381	1-216-025-00	METAL CHIP 100 5% 1/10W	
< SWITCH >			
S901	1-572-184-11	SWITCH, KEYBOARD (CD SYNCHRO C. FADE)	
S902	1-572-184-11	SWITCH, KEYBOARD (CD SYNCHRO FADE)	
S903	1-572-184-11	SWITCH, KEYBOARD (DOLBY NR)	
S904	1-554-303-21	SWITCH, TACTILE (DUBBING MODE)	
S905	1-572-184-11	SWITCH, KEYBOARD (RESET)	
S906	1-572-184-11	SWITCH, KEYBOARD (COUNTER A/B)	
S907	1-572-184-11	SWITCH, KEYBOARD (DIRECTION MODE)	
S908	1-554-303-21	SWITCH, TACTILE (PASE II)	
S909	1-554-303-21	SWITCH, TACTILE (MUTE o)	

PANEL	POWER
--------------	--------------

Ref. No.	Part No.	Description	Remark
S910	1-554-303-21	SWITCH, TACTILE (AMS ◀◀)	(DECK A)
S911	1-554-303-21	SWITCH, TACTILE (AMS ▶▶)	(DECK A)
S912	1-554-303-21	SWITCH, TACTILE (AMS ◀◀)	(DECK B)
S913	1-554-303-21	SWITCH, TACTILE (AMS ▶▶)	(DECK B)
S914	1-554-303-21	SWITCH, TACTILE (REC ○)	
< VIBRATOR >			
X351	1-577-101-11	VIBRATOR, CERAMIC (4.19MHz)	

*	A-2006-968-A	POWER BOARD, COMPLETE (AEP, UK, IT)	
*	A-2006-992-A	POWER BOARD, COMPLETE (E, AUS, EA, JE, MY, SP)	
*	A-2007-034-A	POWER BOARD, COMPLETE (German)	
*	A-2007-052-A	POWER BOARD, COMPLETE (CND)	

*	3-309-144-31	HEAT SINK	
	7-685-646-79	SCREW +BVTP 3X8 TYPE2 N-S	
< CAPACITOR >			
C501	1-126-768-11	ELECT	2200uF 20% 16V
C502	1-126-768-11	ELECT	2200uF 20% 16V
C503	1-124-360-00	ELECT	1000uF 20% 16V
C504	1-126-768-11	ELECT	2200uF 20% 16V
C505	1-124-478-11	ELECT	100uF 20% 25V
C506	1-124-122-11	ELECT	100uF 20% 50V
C507	1-124-907-11	ELECT	10uF 20% 50V
C508	1-164-232-11	CERAMIC CHIP	0.01uF 50V
C509	1-124-893-11	ELECT	2200uF 20% 10V
C510	1-124-477-11	ELECT	47uF 20% 25V
C513	1-164-232-11	CERAMIC CHIP	0.01uF 50V
C514	1-124-927-11	ELECT	4.7uF 20% 100V
C515	1-124-472-11	ELECT	470uF 20% 10V
C516	1-124-472-11	ELECT	470uF 20% 10V
C517	1-164-232-11	CERAMIC CHIP	0.01uF 50V
C518	1-126-927-11	ELECT	2200uF 20% 10V
C519	1-126-927-11	ELECT	2200uF 20% 10V
C520	1-126-101-11	ELECT	100uF 20% 16V
C521	1-126-101-11	ELECT	100uF 20% 16V
C522	1-124-927-11	ELECT	4.7uF 20% 100V
C526	1-163-037-11	CERAMIC CHIP	0.022uF 10% 25V
C527	1-163-037-11	CERAMIC CHIP	0.022uF 10% 25V
C529	1-163-037-11	CERAMIC CHIP	0.022uF 10% 25V
C530	1-163-037-11	CERAMIC CHIP	0.022uF 10% 25V
< CONNECTOR >			
CN502	1-695-775-11	CONNECTOR, FFC/FPC 19P	
* CNP501	1-569-496-11	SOCKET, CONNECTOR 10P	

Ref. No.	Part No.	Description	Remark
< DIODE >			
D501	8-719-200-02	DIODE	10E2
D502	8-719-200-02	DIODE	10E2
D503	8-719-200-02	DIODE	10E2
D504	8-719-200-02	DIODE	10E2
D506	8-719-200-02	DIODE	10E2
D507	8-719-200-02	DIODE	10E2
D508	8-719-200-02	DIODE	10E2
D509	8-719-200-02	DIODE	10E2
D510	8-719-200-02	DIODE	10E2
D511	8-719-200-02	DIODE	10E2
D512	8-719-016-74	DIODE	1SS352
D513	8-719-016-74	DIODE	1SS352
D514	8-719-422-58	DIODE	MA8062
D515	8-719-200-02	DIODE	10E2
D516	8-719-200-02	DIODE	10E2
D517	8-719-017-34	DIODE	02DZ20-TPHR3
D518	8-719-422-46	DIODE	MA8056
D519	8-719-016-74	DIODE	1SS352
< FUSE >			
△F501	1-532-777-21	FUSE, MICRO (SECONDARY)	1.25A 125V (CND)
△F502	1-532-773-21	FUSE, MICRO (SECONDARY)	0.5A 125V (CND)
< IC >			
IC501	8-759-602-66	IC	M5230L-A
< IC LINK >			
△ICP501	1-532-840-21	LINK, IC (PRF1250)	(1.25A) (EXCEPT CND)
△ICP502	1-532-836-21	LINK, IC (PRF500)	(0.5A) (EXCEPT CND)
< TRANSISTOR >			
Q501	8-729-209-15	TRANSISTOR	2SD2012
Q502	8-729-141-83	TRANSISTOR	2SB1094-LK
Q503	8-729-209-15	TRANSISTOR	2SD2012
Q504	8-729-602-21	TRANSISTOR	2SC4154
Q505	8-729-118-01	TRANSISTOR	2SB1116
Q506	8-729-141-83	TRANSISTOR	2SB1094-LK
Q507	8-729-209-15	TRANSISTOR	2SD2012
Q508	8-729-805-45	TRANSISTOR	2SC3395
< RESISTOR >			
R506	1-216-055-00	METAL CHIP	1.8K 5% 1/10W
R507	1-216-073-00	METAL CHIP	10K 5% 1/10W
R509	1-216-057-00	METAL CHIP	2.2K 5% 1/10W
R510	1-216-121-00	METAL CHIP	1M 5% 1/10W
R511	1-216-033-00	METAL CHIP	220 5% 1/10W

<p>The components identified by mark △ or dotted line with mark △ are critical for safety. Replace only with part number specified.</p>	<p>Les composants identifiés par une marque △ sont critiques pour la sécurité. Ne les remplacer que par une pièce portant le numéro spécifié.</p>
---	---

POWER **SW (A)** **SW (B)** **SW-A** **SW-B**

Ref. No.	Part No.	Description	Remark
R512	1-216-043-00	METAL CHIP	560 5% 1/10W
R513	1-216-033-00	METAL CHIP	220 5% 1/10W
R514	1-216-043-00	METAL CHIP	560 5% 1/10W
R515	1-216-061-00	METAL CHIP	3.3K 5% 1/10W
R516	1-216-074-00	METAL CHIP	11K 5% 1/10W
R517	1-216-077-00	METAL CHIP	15K 5% 1/10W
R518	1-216-077-00	METAL CHIP	15K 5% 1/10W
R519	1-216-025-00	METAL CHIP	100 5% 1/10W
R520	1-216-025-00	METAL CHIP	100 5% 1/10W
△R521	1-215-857-11	METAL OXIDE	10 5% 1W F
R522	1-216-097-00	METAL CHIP	100K 5% 1/10W
R524	1-216-081-00	METAL CHIP	22K 5% 1/10W
R526	1-216-041-00	METAL CHIP	470 5% 1/10W
R527	1-216-041-00	METAL CHIP	470 5% 1/10W
R528	1-216-041-00	METAL CHIP	470 5% 1/10W
R529	1-216-041-00	METAL CHIP	470 5% 1/10W
< TRANSFORMER >			
△T501	1-423-382-11	TRANSFORMER, POWER (EXCEPT CND)	
△T501	1-423-699-11	TRANSFORMER, POWER (CND)	

*	1-645-870-11	SW (A) BOARD	*****
< CONNECTOR >			
CN352	1-580-484-11	SOCKET, CONNECTOR 5P	
< RESISTOR >			
R365	1-216-029-00	METAL CHIP	150 5% 1/10W
R366	1-216-033-00	METAL CHIP	220 5% 1/10W
< SWITCH >			
S918	1-554-303-21	SWITCH, TACTILE (□) (DECK A)	
S919	1-554-303-21	SWITCH, TACTILE (▷) (DECK A)	
S920	1-554-303-21	SWITCH, TACTILE (◁) (DECK A)	

*	1-645-871-11	SW (B) BOARD	*****
< CONNECTOR >			
CN351	1-580-484-11	SOCKET, CONNECTOR 5P	
< RESISTOR >			
R363	1-216-029-00	METAL CHIP	150 5% 1/10W
R364	1-216-033-00	METAL CHIP	220 5% 1/10W

Ref. No.	Part No.	Description	Remark
< SWITCH >			
S915	1-554-303-21	SWITCH, TACTILE (□) (DECK B)	
S916	1-554-303-21	SWITCH, TACTILE (▷) (DECK B)	
S917	1-554-303-21	SWITCH, TACTILE (◁) (DECK B)	

*	1-634-841-14	SW-A BOARD	*****
3-343-419-01		HOLDER (S SENSOR A)	
< CONNECTOR >			
* CNP81	1-568-852-11	SOCKET, CONNECTOR 9P	
< PHOTO REFLECTOR >			
IC81A	8-719-710-03	PHOTO REFLECTOR NJL5165K-B	
< RESISTOR >			
R84	1-249-417-11	CARBON	1K 5% 1/4W
R85	1-249-408-11	CARBON	180 5% 1/4W
< SWITCH >			
S81	1-571-958-11	SWITCH, PUSH (1 KEY) (STOP DET)	
S82	1-571-281-21	SWITCH, LEAF (CrO2 DET)	
S86	1-571-281-21	SWITCH, LEAF (HALF DET)	

*	1-634-841-14	SW-B BOARD	*****
3-343-419-01		HOLDER (S SENSOR A)	
< CONNECTOR >			
* CNP81	1-568-852-11	SOCKET, CONNECTOR 9P	
< PHOTO REFLECTOR >			
IC81B	8-719-710-03	PHOTO REFLECTOR NJL5165K-B	
< RESISTOR >			
R81	1-249-414-11	CARBON	560 5% 1/4W
R82	1-247-818-11	CARBON	300 5% 1/4W
R83	1-247-834-11	CARBON	1.3K 5% 1/4W
R84	1-249-417-11	CARBON	1K 5% 1/4W
R85	1-249-408-11	CARBON	180 5% 1/4W
< SWITCH >			
S81	1-571-958-11	SWITCH, PUSH (1 KEY) (STOP DET)	
S82	1-571-281-21	SWITCH, LEAF (CrO2 DET)	
S83	1-571-281-21	SWITCH, LEAF (METAL DET)	

The components identified by mark △ or dotted line with mark △ are critical for safety. Replace only with part number specified.	Les composants identifiés par une marque △ sont critiques pour la sécurité. Ne les remplacer que par une pièce portant le numéro spécifié.
--	--

Ref. No.	Part No.	Description	Remark		
S84	1-571-281-21	SWITCH, LEAF (ERASE PROOF (SIDE A))			
S85	1-571-281-21	SWITCH, LEAF (ERASE PROOF (SIDE B))			
S86	1-571-281-21	SWITCH, LEAF (HALF DET)			

*	A-2006-966-A	TC MAIN BOARD, COMPLETE (AEP, UK, IT)			
*	A-2006-990-A	TC MAIN BOARD, COMPLETE (E, AUS, EA, JE, MY, SP)			
*	A-2007-032-A	TC MAIN BOARD, COMPLETE (German)			
*	A-2007-050-A	TC MAIN BOARD, COMPLETE (CND) *****			
< CAPACITOR >					
C101	1-136-157-00	FILM	0.022uF	5%	50V
C102	1-164-161-11	CERAMIC CHIP	0.0022uF	10%	100V
C103	1-164-182-11	CERAMIC CHIP	0.0033uF	10%	50V
C104	1-106-351-00	MYLAR	2200PF	5%	200V
C105	1-106-351-00	MYLAR	2200PF	5%	200V
C106	1-124-925-11	ELECT	2.2uF	20%	100V
C107	1-136-174-00	FILM	0.56uF	5%	50V
C108	1-136-171-00	FILM	0.33uF	5%	50V
C109	1-124-927-11	ELECT	4.7uF	20%	100V
C110	1-163-117-00	CERAMIC CHIP	100PF	5%	50V
C111	1-164-005-11	CERAMIC CHIP	0.47uF		25V
C112	1-124-903-11	ELECT	1uF	20%	50V
C113	1-163-117-00	CERAMIC CHIP	100PF	5%	50V
C114	1-124-927-11	ELECT	4.7uF	20%	100V
C115	1-124-925-11	ELECT	2.2uF	20%	100V
C116	1-124-257-00	ELECT	2.2uF	20%	50V
C117	1-124-257-00	ELECT	2.2uF	20%	50V
C118	1-124-257-00	ELECT	2.2uF	20%	50V
C119	1-163-103-00	CERAMIC CHIP (EXCEPT CND)	27PF	5%	50V
C119	1-163-111-00	CERAMIC CHIP (CND)	56PF	5%	50V
C120	1-163-111-00	CERAMIC CHIP	56PF	5%	50V
C201	1-136-157-00	FILM	0.022uF	5%	50V
C202	1-164-161-11	CERAMIC CHIP	0.0022uF	10%	100V
C203	1-164-182-11	CERAMIC CHIP	0.0033uF	10%	50V
C204	1-106-351-00	MYLAR	2200PF	5%	200V
C205	1-106-351-00	MYLAR	2200PF	5%	200V
C206	1-124-925-11	ELECT	2.2uF	20%	100V
C207	1-136-174-00	FILM	0.56uF	5%	50V
C208	1-136-171-00	FILM	0.33uF	5%	50V
C209	1-124-927-11	ELECT	4.7uF	20%	100V
C210	1-163-117-00	CERAMIC CHIP	100PF	5%	50V
C211	1-164-005-11	CERAMIC CHIP	0.47uF		25V
C212	1-124-903-11	ELECT	1uF	20%	50V
C213	1-163-117-00	CERAMIC CHIP	100PF	5%	50V
C214	1-124-927-11	ELECT	4.7uF	20%	100V

Ref. No.	Part No.	Description	Remark		
C215	1-124-925-11	ELECT	2.2uF	20%	100V
C216	1-124-257-00	ELECT	2.2uF	20%	50V
C217	1-124-257-00	ELECT	2.2uF	20%	50V
C218	1-124-257-00	ELECT	2.2uF	20%	50V
C219	1-163-103-00	CERAMIC CHIP (EXCEPT CND)	27PF	5%	50V
C219	1-163-111-00	CERAMIC CHIP (CND)	56PF	5%	50V
C220	1-163-111-00	CERAMIC CHIP	56PF	5%	50V
C601	1-126-157-11	ELECT	10uF	20%	16V
C602	1-124-907-11	ELECT	10uF	20%	50V
C603	1-124-903-11	ELECT	1uF	20%	50V
C604	1-124-903-11	ELECT	1uF	20%	50V
C605	1-124-903-11	ELECT	1uF	20%	50V
C606	1-124-903-11	ELECT	1uF	20%	50V
C608	1-124-927-11	ELECT	4.7uF	20%	100V
C609	1-163-037-11	CERAMIC CHIP	0.022uF	10%	25V
C610	1-163-111-00	CERAMIC CHIP	56PF	5%	50V
C611	1-163-111-00	CERAMIC CHIP	56PF	5%	50V
C612	1-126-177-11	ELECT	100uF	20%	10V
C613	1-126-177-11	ELECT	100uF	20%	10V
C615	1-163-038-00	CERAMIC CHIP	0.1uF		25V
C617	1-124-477-11	ELECT	47uF	20%	25V
C618	1-163-038-00	CERAMIC CHIP	0.1uF		25V
C620	1-164-232-11	CERAMIC CHIP	0.01uF		50V
C621	1-164-232-11	CERAMIC CHIP	0.01uF		50V
C622	1-124-472-11	ELECT	470uF	20%	10V
C623	1-163-038-00	CERAMIC CHIP	0.1uF		25V
C624	1-124-472-11	ELECT	470uF	20%	10V
C625	1-164-232-11	CERAMIC CHIP	0.01uF		50V
C626	1-164-232-11	CERAMIC CHIP	0.01uF		50V
C627	1-163-038-00	CERAMIC CHIP	0.1uF		25V
C629	1-126-157-11	ELECT	10uF	20%	16V
C630	1-124-916-11	ELECT	22uF	20%	63V
C631	1-124-257-00	ELECT	2.2uF	20%	50V
C632	1-124-589-11	ELECT	47uF	20%	16V
C633	1-124-478-11	ELECT	100uF	20%	25V
C634	1-124-477-11	ELECT	47uF	20%	25V
C6009	1-124-907-11	ELECT	10uF	20%	50V
C6010	1-163-038-00	CERAMIC CHIP	0.1uF		25V
C6011	1-163-129-00	CERAMIC CHIP	330PF	5%	50V
C6012	1-163-129-00	CERAMIC CHIP	330PF	5%	50V
C6013	1-124-478-11	ELECT	100uF	20%	25V
C6021	1-163-141-00	CERAMIC CHIP	0.001uF	5%	50V
C6022	1-124-927-11	ELECT	4.7uF	20%	100V
C6023	1-126-163-11	ELECT	4.7uF	20%	50V
C6024	1-124-257-00	ELECT	2.2uF	20%	50V
C6025	1-124-257-00	ELECT	2.2uF	20%	50V
C6029	1-163-141-00	CERAMIC CHIP	0.001uF	5%	50V

TC MAIN

Ref. No.	Part No.	Description	Remark
C6030	1-163-141-00	CERAMIC CHIP 0.001uF 5%	50V
C6031	1-163-038-00	CERAMIC CHIP 0.1uF	25V
C6033	1-163-141-00	CERAMIC CHIP 0.001uF 5%	50V
C6034	1-163-141-00	CERAMIC CHIP 0.001uF 5%	50V
C6035	1-163-141-00	CERAMIC CHIP 0.001uF 5%	50V
C6036	1-124-257-00	ELECT 2.2uF	20% 50V
C6061	1-124-443-00	ELECT 100uF	20% 10V
C6062	1-124-902-00	ELECT 0.47uF	20% 50V
< CONNECTOR >			
CN601	1-573-101-11	SOCKET, CONNECTOR 9P	
CN602	1-580-783-11	CONNECTOR, BOARD TO BOARD 10P	
CN603	1-573-101-11	SOCKET, CONNECTOR 9P	
CN604	1-580-783-11	CONNECTOR, BOARD TO BOARD 10P	
CN605	1-695-739-11	CONNECTOR, FFC/FPC 19P	
CN606	1-580-475-11	SOCKET, CONNECTOR 16P	
CN607	1-580-783-11	CONNECTOR, BOARD TO BOARD 10P	
< DIODE >			
D101	8-719-016-74	DIODE 1SS352	
D201	8-719-016-74	DIODE 1SS352	
D601	8-719-422-91	DIODE MA8091	
D602	8-719-016-74	DIODE 1SS352	
D603	8-719-016-74	DIODE 1SS352	
D604	8-719-016-74	DIODE 1SS352	
D605	8-719-016-74	DIODE 1SS352	
D606	8-719-016-74	DIODE 1SS352	
D607	8-719-210-33	DIODE EC10DS2	
D608	8-719-210-33	DIODE EC10DS2	
D609	8-719-016-74	DIODE 1SS352	
D610	8-719-016-74	DIODE 1SS352	
D611	8-719-016-74	DIODE 1SS352	
D612	8-719-016-84	DIODE 02DZ2.0-TPH3	
D6010	8-719-016-74	DIODE 1SS352	
D6011	8-719-016-74	DIODE 1SS352	
< IC >			
IC101	8-759-300-71	IC HD14053BFP	
IC102	8-752-037-90	IC CXA1331M	
IC103	8-752-055-60	IC CXA1578M	
IC104	8-759-636-55	IC M5218AFP	
IC105	8-759-516-47	IC CD4066BCM	
IC106	8-759-636-55	IC M5218AFP	
IC107	8-759-634-96	IC M5207L05	
IC108	8-759-636-55	IC M5218AFP	
IC109	8-759-516-47	IC CD4066BCM	
IC601	8-759-163-38	IC M38022M4-072FP	
IC602	8-759-636-67	IC M50925-482FP	

Ref. No.	Part No.	Description	Remark
IC603	8-759-207-05	IC TA7272P	
IC604	8-759-636-55	IC M5218AFP	
IC605	8-759-516-41	IC CD4052BCM	
IC6001	8-759-520-90	IC PST572E	
< INDUCTOR >			
L6001	1-410-482-31	INDUCTOR	100uH
L6002	1-410-470-11	INDUCTOR	10uH
< TRANSISTOR >			
Q101	8-729-207-56	TRANSISTOR RN1402	
Q102	8-729-602-21	TRANSISTOR 2SC4154	
Q201	8-729-207-56	TRANSISTOR RN1402	
Q202	8-729-602-21	TRANSISTOR 2SC4154	
Q601	8-729-805-65	TRANSISTOR 2SA1344	
Q602	8-729-805-65	TRANSISTOR 2SA1344	
Q603	8-729-207-56	TRANSISTOR RN1402	
Q604	8-729-805-65	TRANSISTOR 2SA1344	
Q605	8-729-901-06	TRANSISTOR DTA144EK	
Q606	8-729-805-65	TRANSISTOR 2SA1344	
Q607	8-729-805-65	TRANSISTOR 2SA1344	
Q608	8-729-805-65	TRANSISTOR 2SA1344	
Q609	8-729-602-21	TRANSISTOR 2SC4154	
Q611	8-729-805-65	TRANSISTOR 2SA1344	
Q612	8-729-207-56	TRANSISTOR RN1402	
Q613	8-729-207-56	TRANSISTOR RN1402	
Q616	8-729-804-41	TRANSISTOR 2SB1122-S	
Q617	8-729-804-41	TRANSISTOR 2SB1122-S	
Q620	8-729-805-65	TRANSISTOR 2SA1344	
Q624	8-729-805-40	TRANSISTOR 2SC3900	
Q625	8-729-602-36	TRANSISTOR 2SA1602	
Q627	8-729-107-46	TRANSISTOR 2SC3624A-L15	
Q628	8-729-602-36	TRANSISTOR 2SA1602	
Q629	8-729-207-56	TRANSISTOR RN1402	
Q630	8-729-805-40	TRANSISTOR 2SC3900	
Q631	8-729-207-56	TRANSISTOR RN1402	
Q632	8-729-805-65	TRANSISTOR 2SA1344	
Q633	8-729-805-65	TRANSISTOR 2SA1344	
Q634	8-729-602-36	TRANSISTOR 2SA1602	
Q635	8-729-207-56	TRANSISTOR RN1402	
Q636	8-729-207-56	TRANSISTOR RN1402	
Q637	8-729-207-56	TRANSISTOR RN1402	
Q641	8-729-207-56	TRANSISTOR RN1402	
Q642	8-729-207-56	TRANSISTOR RN1402	
Q643	8-729-207-56	TRANSISTOR RN1402	
Q644	8-729-207-56	TRANSISTOR RN1402	

Ref. No.	Part No.	Description	Remark		
< RESISTOR >					
R101	1-216-089-00	METAL CHIP	47K	5%	1/10W
R102	1-216-089-00	METAL CHIP	47K	5%	1/10W
R103	1-216-056-00	METAL GLAZE	2K	5%	1/10W
R104	1-216-060-00	METAL GLAZE	3K	5%	1/10W
R105	1-216-105-00	METAL CHIP	220K	5%	1/10W
R106	1-216-073-00	METAL CHIP	10K	5%	1/10W
R107	1-216-082-00	METAL CHIP	24K	5%	1/10W
R108	1-216-043-00	METAL CHIP	560	5%	1/10W
R109	1-216-073-00	METAL CHIP	10K	5%	1/10W
R110	1-216-057-00	METAL CHIP	2. 2K	5%	1/10W
R111	1-216-097-00	METAL CHIP	100K	5%	1/10W
R112	1-216-065-00	METAL CHIP	4. 7K	5%	1/10W
R114	1-216-057-00	METAL CHIP	2. 2K	5%	1/10W
R115	1-216-105-00	METAL CHIP	220K	5%	1/10W
R116	1-216-049-00	METAL CHIP	1K	5%	1/10W
R117	1-216-081-00	METAL CHIP	22K	5%	1/10W
R118	1-216-085-00	METAL CHIP	33K	5%	1/10W
R119	1-216-035-00	METAL CHIP	270	5%	1/10W
R120	1-216-049-00	METAL CHIP	1K	5%	1/10W
R121	1-216-097-00	METAL CHIP	100K	5%	1/10W
R122	1-216-081-00	METAL CHIP	22K	5%	1/10W
R123	1-216-105-00	METAL CHIP	220K	5%	1/10W
R128	1-216-105-00	METAL CHIP	220K	5%	1/10W
R201	1-216-089-00	METAL CHIP	47K	5%	1/10W
R202	1-216-089-00	METAL CHIP	47K	5%	1/10W
R203	1-216-056-00	METAL GLAZE	2K	5%	1/10W
R204	1-216-060-00	METAL GLAZE	3K	5%	1/10W
R205	1-216-105-00	METAL CHIP	220K	5%	1/10W
R206	1-216-073-00	METAL CHIP	10K	5%	1/10W
R207	1-216-082-00	METAL GLAZE	24K	5%	1/10W
R208	1-216-043-00	METAL CHIP	560	5%	1/10W
R209	1-216-073-00	METAL CHIP	10K	5%	1/10W
R210	1-216-057-00	METAL CHIP	2. 2K	5%	1/10W
R211	1-216-097-00	METAL CHIP	100K	5%	1/10W
R212	1-216-065-00	METAL CHIP	4. 7K	5%	1/10W
R213	1-216-089-00	METAL CHIP	47K	5%	1/10W
R214	1-216-057-00	METAL CHIP	2. 2K	5%	1/10W
R215	1-216-105-00	METAL CHIP (EXCEPT CND)	220K	5%	1/10W
R216	1-216-049-00	METAL CHIP	1K	5%	1/10W
R217	1-216-081-00	METAL CHIP	22K	5%	1/10W
R218	1-216-085-00	METAL CHIP	33K	5%	1/10W
R219	1-216-035-00	METAL CHIP	270	5%	1/10W
R220	1-216-049-00	METAL CHIP	1K	5%	1/10W
R221	1-216-097-00	METAL CHIP	100K	5%	1/10W
R222	1-216-081-00	METAL CHIP	22K	5%	1/10W
R223	1-216-105-00	METAL CHIP	220K	5%	1/10W

Ref. No.	Part No.	Description	Remark		
R228	1-216-105-00	METAL CHIP (EXCEPT CND)	220K	5%	1/10W
R601	1-216-081-00	METAL CHIP	22K	5%	1/10W
R602	1-216-081-00	METAL CHIP	22K	5%	1/10W
R603	1-216-057-00	METAL CHIP	2. 2K	5%	1/10W
R605	1-216-081-00	METAL CHIP	22K	5%	1/10W
R606	1-216-081-00	METAL CHIP	22K	5%	1/10W
R607	1-216-081-00	METAL CHIP	22K	5%	1/10W
R608	1-216-049-00	METAL CHIP	1K	5%	1/10W
R609	1-216-083-00	METAL CHIP	27K	5%	1/10W
R610	1-216-083-00	METAL CHIP	27K	5%	1/10W
R611	1-216-077-00	METAL CHIP	15K	5%	1/10W
R612	1-216-081-00	METAL CHIP	22K	5%	1/10W
R613	1-216-089-00	METAL CHIP	47K	5%	1/10W
R614	1-216-065-00	METAL CHIP	4. 7K	5%	1/10W
R615	1-216-071-00	METAL CHIP	8. 2K	5%	1/10W
R616	1-216-061-00	METAL CHIP	3. 3K	5%	1/10W
R617	1-216-097-00	METAL CHIP	100K	5%	1/10W
R618	1-216-097-00	METAL CHIP	100K	5%	1/10W
R619	1-216-065-00	METAL CHIP	4. 7K	5%	1/10W
R620	1-216-105-00	METAL CHIP (EXCEPT CND)	220K	5%	1/10W
R621	1-216-073-00	METAL CHIP	10K	5%	1/10W
R622	1-216-097-00	METAL CHIP	100K	5%	1/10W
R623	1-216-057-00	METAL CHIP	2. 2K	5%	1/10W
R624	1-216-096-00	METAL GLAZE	91K	5%	1/10W
R625	1-216-105-00	METAL CHIP (EXCEPT CND)	220K	5%	1/10W
R626	1-216-101-00	METAL CHIP	150K	5%	1/10W
R627	1-216-081-00	METAL CHIP	22K	5%	1/10W
R628	1-216-073-00	METAL CHIP	10K	5%	1/10W
R629	1-216-057-00	METAL CHIP	2. 2K	5%	1/10W
R630	1-216-081-00	METAL CHIP	22K	5%	1/10W
R631	1-216-081-00	METAL CHIP	22K	5%	1/10W
R632	1-216-025-00	METAL CHIP	100	5%	1/10W
R633	1-216-065-00	METAL CHIP	4. 7K	5%	1/10W
R634	1-216-081-00	METAL CHIP	22K	5%	1/10W
R635	1-216-081-00	METAL CHIP	22K	5%	1/10W
R636	1-216-081-00	METAL CHIP	22K	5%	1/10W
R637	1-216-081-00	METAL CHIP	22K	5%	1/10W
R638	1-216-081-00	METAL CHIP	22K	5%	1/10W
R639	1-216-057-00	METAL CHIP	2. 2K	5%	1/10W
R640	1-216-057-00	METAL CHIP	2. 2K	5%	1/10W
R641	1-216-073-00	METAL CHIP	10K	5%	1/10W
R642	1-216-089-00	METAL CHIP	47K	5%	1/10W
R643	1-216-089-00	METAL CHIP	47K	5%	1/10W
R644	1-216-025-00	METAL CHIP	100	5%	1/10W
R645	1-216-089-00	METAL CHIP	47K	5%	1/10W
R646	1-216-081-00	METAL CHIP	22K	5%	1/10W

TC MAIN

Ref. No.	Part No.	Description	Remark
R647	1-216-025-00	METAL CHIP	100 5% 1/10W
R648	1-216-025-00	METAL CHIP	100 5% 1/10W
R649	1-216-025-00	METAL CHIP	100 5% 1/10W
R650	1-216-121-00	METAL CHIP	1M 5% 1/10W
R651	1-216-081-00	METAL CHIP	22K 5% 1/10W
R652	1-216-081-00	METAL CHIP	22K 5% 1/10W
R653	1-216-073-00	METAL CHIP	10K 5% 1/10W
R654	1-216-073-00	METAL CHIP	10K 5% 1/10W
R655	1-216-089-00	METAL CHIP	47K 5% 1/10W
R656	1-216-073-00	METAL CHIP	10K 5% 1/10W
R657	1-216-043-00	METAL CHIP	560 5% 1/10W
R658	1-216-081-00	METAL CHIP	22K 5% 1/10W
R659	1-216-029-00	METAL CHIP	150 5% 1/10W
R660	1-216-081-00	METAL CHIP	22K 5% 1/10W
R661	1-216-083-00	METAL CHIP	27K 5% 1/10W
R662	1-216-083-00	METAL CHIP	27K 5% 1/10W
R663	1-216-073-00	METAL CHIP	10K 5% 1/10W
R664	1-216-045-00	METAL CHIP	680 5% 1/10W
R665	1-216-073-00	METAL CHIP	10K 5% 1/10W
R666	1-216-045-00	METAL CHIP	680 5% 1/10W
R667	1-216-025-00	METAL CHIP	100 5% 1/10W
R668	1-216-090-00	METAL CHIP	51K 5% 1/10W
R669	1-216-089-00	METAL CHIP	47K 5% 1/10W
R670	1-216-084-00	METAL CHIP	30K 5% 1/10W
R671	1-216-090-00	METAL CHIP	51K 5% 1/10W
R672	1-216-065-00	METAL CHIP	4.7K 5% 1/10W
R673	1-216-080-00	METAL CHIP	20K 5% 1/10W
R674	1-216-083-00	METAL CHIP	27K 5% 1/10W
R675	1-216-080-00	METAL CHIP	20K 5% 1/10W
R676	1-216-065-00	METAL CHIP	4.7K 5% 1/10W
R677	1-216-089-00	METAL CHIP	47K 5% 1/10W
R678	1-216-084-00	METAL CHIP	30K 5% 1/10W
R679	1-216-083-00	METAL CHIP	27K 5% 1/10W
R680	1-216-090-00	METAL CHIP	51K 5% 1/10W
R681	1-216-090-00	METAL CHIP	51K 5% 1/10W
R682	1-216-025-00	METAL CHIP	100 5% 1/10W
R683	1-216-057-00	METAL CHIP	2.2K 5% 1/10W
R684	1-216-057-00	METAL CHIP	2.2K 5% 1/10W
R685	1-216-025-00	METAL CHIP	100 5% 1/10W
R686	1-216-025-00	METAL CHIP	100 5% 1/10W
R687	1-216-081-00	METAL CHIP	22K 5% 1/10W
R688	1-216-029-00	METAL CHIP	150 5% 1/10W
R689	1-216-025-00	METAL CHIP	100 5% 1/10W
R690	1-216-025-00	METAL CHIP	100 5% 1/10W
R691	1-216-025-00	METAL CHIP	100 5% 1/10W
R692	1-216-081-00	METAL CHIP	22K 5% 1/10W
R694	1-216-689-11	METAL CHIP	39K 0.5% 1/10W
R695	1-216-073-00	METAL CHIP	10K 5% 1/10W
R696	1-216-091-00	METAL CHIP	56K 5% 1/10W

Ref. No.	Part No.	Description	Remark
R697	1-216-060-00	METAL GLAZE	3K 5% 1/10W (CND)
R697	1-216-063-00	METAL CHIP (EXCEPT CND)	3.9K 5% 1/10W
R698	1-216-075-00	METAL CHIP	12K 5% 1/10W (CND)
R698	1-216-083-00	METAL CHIP (EXCEPT CND)	27K 5% 1/10W
R699	1-216-065-00	METAL CHIP	4.7K 5% 1/10W
R700	1-216-073-00	METAL CHIP	10K 5% 1/10W
R6002	1-216-065-00	METAL CHIP	4.7K 5% 1/10W
R6003	1-216-073-00	METAL CHIP	10K 5% 1/10W
R6004	1-216-089-00	METAL CHIP	47K 5% 1/10W
R6005	1-216-089-00	METAL CHIP	47K 5% 1/10W
R6010	1-216-049-00	METAL CHIP	1K 5% 1/10W
R6011	1-216-097-00	METAL CHIP	100K 5% 1/10W
R6012	1-216-049-00	METAL CHIP	1K 5% 1/10W
R6013	1-216-085-00	METAL CHIP	33K 5% 1/10W
R6014	1-216-079-00	METAL CHIP	18K 5% 1/10W
R6016	1-216-073-00	METAL CHIP	10K 5% 1/10W
R6017	1-216-071-00	METAL CHIP (EXCEPT CND)	8.2K 5% 1/10W
R6017	1-216-075-00	METAL CHIP	12K 5% 1/10W (CND)
R6018	1-216-081-00	METAL CHIP	22K 5% 1/10W
R6050	1-216-025-00	METAL CHIP	100 5% 1/10W
R6061	1-216-081-00	METAL CHIP	22K 5% 1/10W
R6062	1-216-035-00	METAL CHIP	270 5% 1/10W
R6063	1-216-689-11	METAL CHIP	39K 0.5% 1/10W
R6070	1-216-057-00	METAL CHIP	2.2K 5% 1/10W
R6071	1-216-057-00	METAL CHIP	2.2K 5% 1/10W
< VARIABLE RESISTOR >			
RV101	1-241-136-11	RES, ADJ, CARBON 10K	
RV201	1-241-136-11	RES, ADJ, CARBON 10K	
< TEST PIN >			
* TP601	1-564-718-11	PIN, CONNECTOR (SMALL TYPE) 2P	
< VIBRATOR >			
X601	1-577-358-21	VIBRATOR, CERAMIC (4MHz)	

Ref. No.	Part No.	Description	Remark
----------	----------	-------------	--------

MISCELLANEOUS

7	1-696-747-11	WIRE (FLAT TYPE) (5 CORE)	
69	1-590-902-11	WIRE (FLAT TYPE) (9 CORE)	
70	1-696-748-11	WIRE (FLAT TYPE) (19 CORE)	
* 72	1-690-880-31	LEAD (WITH CONNECTOR)	
HP101	A-2003-837-F	BASE ASSY, HEAD (DECK A)	

HRPE101	A-2003-838-A	BASE ASSY, HEAD (DECK B)	
M101A	X-3363-501-1	MOTOR ASSY, REEL (DECK A)	
M101B	X-3363-501-1	MOTOR ASSY, REEL (DECK B)	
M102A	X-3359-417-1	MOTOR ASSY, CAPSTAN (DECK A)	
M102B	X-3359-417-1	MOTOR ASSY, CAPSTAN (DECK B)	

HARDWARE LIST

#1	7-685-646-79	SCREW +BVTP 3X8 TYPE2 N-S	
#2	7-621-255-15	SCREW +PTT 2X3 (S)	
#3	7-621-775-00	SCREW +B 2. 6X3	
#4	7-621-770-67	SCREW +PTT 2. 6X6 (S)	
#5	7-627-556-08	SCREW +P 2. 6X2. 8	
#6	7-621-849-00	SCREW, TAPPING	

TC-H6800

SONY[®] SERVICE MANUAL

*Canadian Model
AEP Model
UK Model
E Model
Australian Model
Tourist Model*

SUPPLEMENT-1

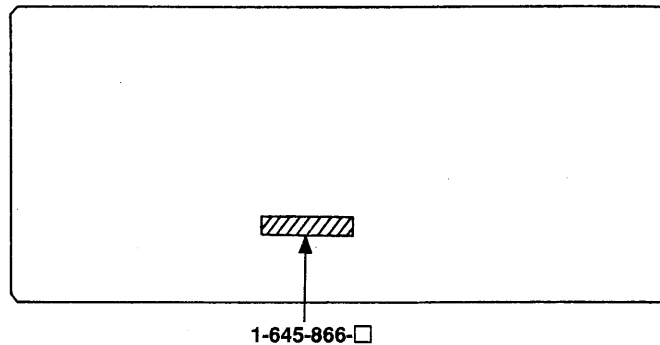
File this Supplement with the Service Manual.

Subject : TC MAIN and PANEL board change

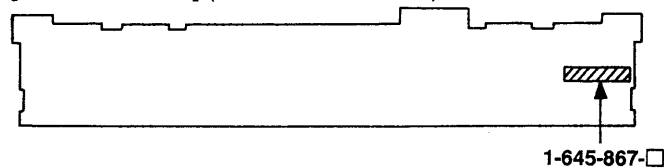
- This SUPPLEMENT-1 is equivalent to the suffix No. [15].
There is no interchangeability with the suffix No. from [11] to [14].

Parts No. Location :

[TC MAIN BOARD] (COMPONENT SIDE)



[PANEL BOARD] (COMPONENT SIDE)



SERVICING NOTE

About interchangeability

- Combination between "TC MAIN Board, complete" and "PANEL Board, complete".

		TC MAIN Board	
		Suffix No. 11 to 14	Suffix No. 15
PANEL Board	Suffix No. 11 to 14	○	×
	Suffix No. 15	×	○

- The No. of complete boards are differ from board to board as below.

Suffix No.	11 to 14	15
TC MAIN Board	* A-2006-966-A (AEP, UK, IT) * A-2006-990-A (E, AUS, EA, JE, MY, SP) * A-2007-032-A (German) * A-2007-050-A (CND)	* A-2007-273-A (All destination)
PANEL Board	* A-2006-967-A (AEP, UK, IT) * A-2006-991-A (E, AUS, EA, JE, MY, SP) * A-2007-032-A (German) * A-2007-051-A (CND)	* A-2007-272-A (All destination)

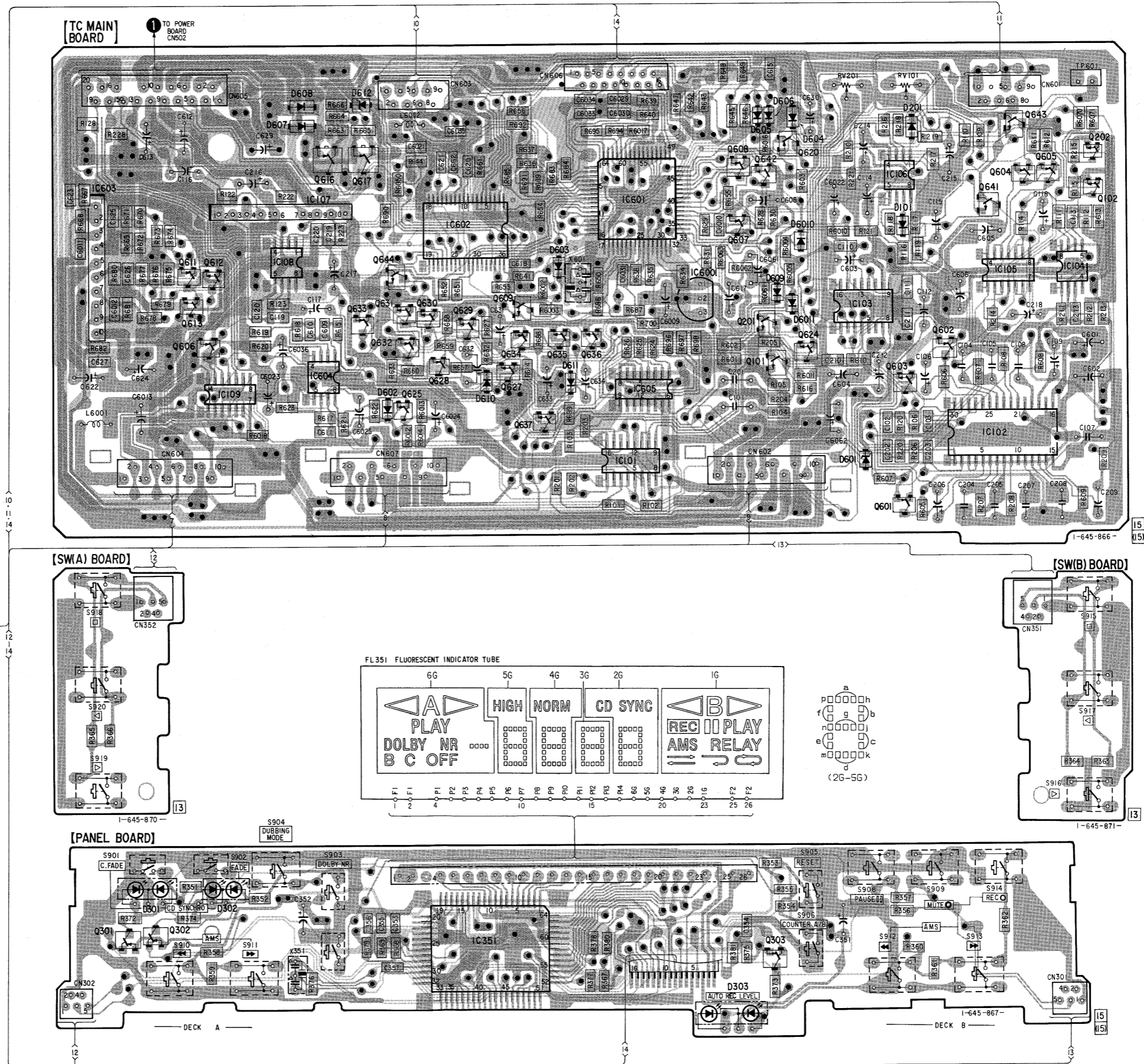
- Abbreviations

CND : Canadian model	JE : Tourist model
IT : Italian model	MY : Malaysia model
AUS : Australian model	SP : Singapore model
EA : Saudi Arabia model	

PRINTED WIRING BOARDS (Service Manual Page 13, 14.)

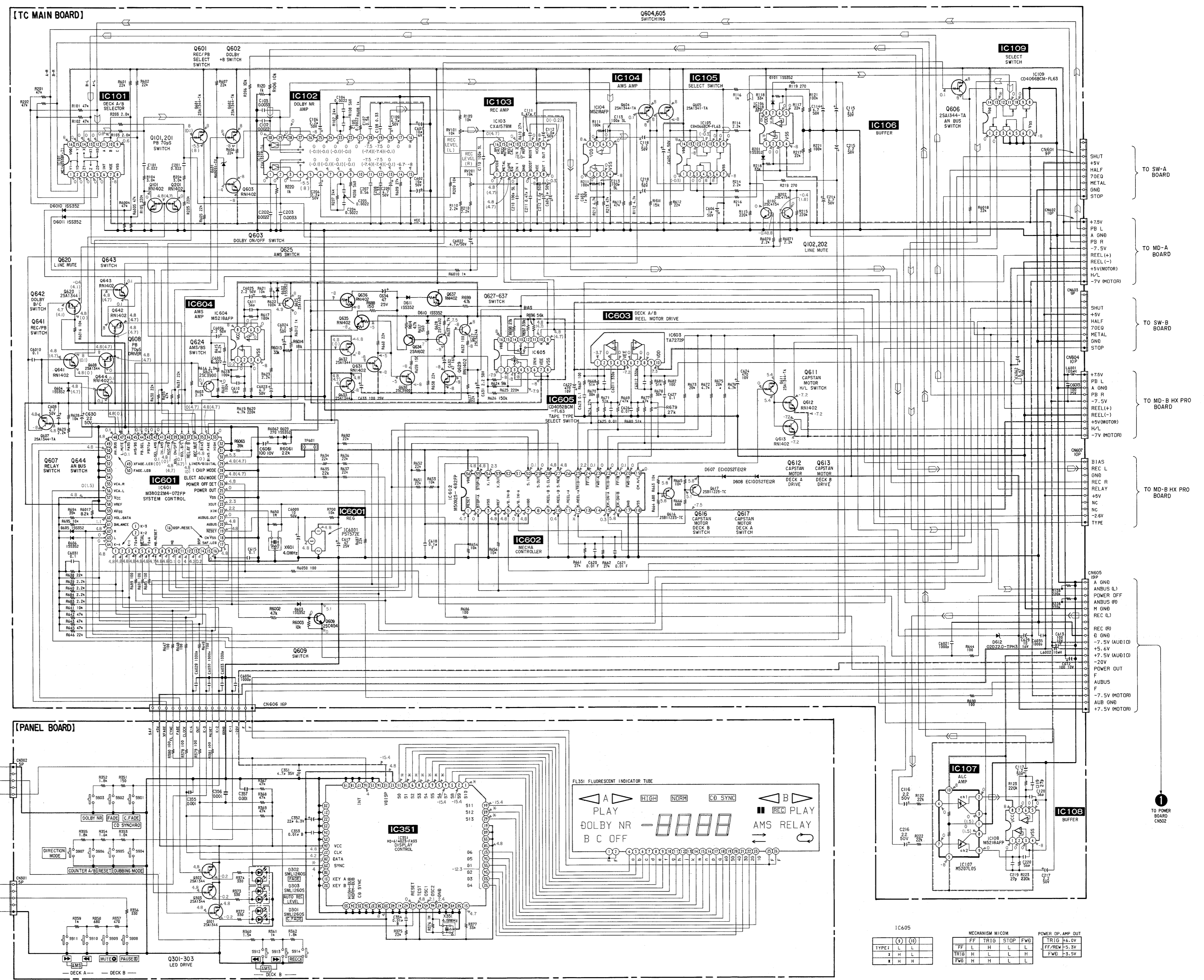
[TC MAIN BOARD] ADDRESS (A to F, 14 to 24),

[PANEL BOARD] ADDRESS (I to K, 14 to 24)



- Note:**
- : parts extracted from the component side.
 - : Through hole.
 - △ : internal component.
 - ▨ : Pattern from the side which enable seeing.
 - ▩ : Pattern of the rear side.

SCHEMATIC DIAGRAM (Service Manual Page 15 to 17.)
[TC MAIN BOARD] [PANEL BOARD] ADDRESS (A to O, 2 to 18)



- Note:**
- All capacitors are in μF unless otherwise noted. $\text{pF} = \mu\text{F} \times 10^{-6}$. 50WV or less are not indicated except for electrolytics and tantalums.
 - All resistors are in Ω and 1/4W or less unless otherwise specified.
 - Δ : internal component.
 - \square : panel designation.
 - : B- Line
 - : B- Line
 - \square : adjustment for repair.
 - Power voltage is AC118V and fed with regulated dc power supply from pins ⑬ and ⑭ on CNJ401 (Control board).
 - Voltage and waveforms are dc with respect to ground under no-signal conditions. no mark : PB () : REC * : can not be measured.
 - Voltages are taken with a VOM (Input impedance 10M Ω). Voltage variations may be noted due to normal production tolerances.
 - Signal path.
 - \Rightarrow : PB (DECK A)
 - \Rightarrow : PB (DECK B)
 - \Rightarrow : REC (DECK B)

IC605		MECHANISM MICOM				POWER OP. AMP OUT	
TYPE	() (0)	FF	TRIG	STOP	FWD	TRIG	+4.5V
L	L	L	L	L	L	L	L
H	L	L	L	L	L	L	L
H	H	L	L	L	L	L	L

PANEL

SECTION 6 ELECTRICAL PARTS LIST

NOTE:

When indicating parts by reference number, please include the board name.

- Due to standardization, replacements in the parts list may be different from the parts specified in the diagrams or the components used on the set.
- Items marked "*" are not stocked since they are seldom required for routine service. Some delay should be anticipated when ordering these items.
- RESISTORS
All resistors are in ohms
METAL: Metal-film resistor
- SEMICONDUCTORS
In each case, u: μ , for example:
uA...: μ A..., uPA...: μ PA...,
uPB...: μ PB..., uPC...: μ PC...,
uPD...: μ PD...
- CAPACITORS
uF: μ F
- COILS
uH: μ H

Ref. No.	Part No.	Description	Remark	Ref. No.	Part No.	Description	Remark
*	A-2007-272-A	PANEL BOARD, COMPLETE *****		R356	1-216-037-00	METAL CHIP	330 5% 1/10W
		< CAPACITOR >		R357	1-216-041-00	METAL CHIP	470 5% 1/10W
C351	1-126-163-11	ELECT	4.7uF 20% 50V	R358	1-216-045-00	METAL CHIP	680 5% 1/10W
C352	1-124-638-11	ELECT	22uF 20% 10V	R359	1-216-049-00	METAL CHIP	1K 5% 1/10W
C353	1-164-232-11	CERAMIC CHIP	0.01uF 50V	R360	1-216-053-00	METAL CHIP	1.5K 5% 1/10W
C354	1-164-232-11	CERAMIC CHIP	0.01uF 50V	R361	1-216-049-00	METAL CHIP	1K 5% 1/10W
C355	1-163-141-00	CERAMIC CHIP	0.001uF 5% 50V	R362	1-216-055-00	METAL CHIP	1.8K 5% 1/10W
C356	1-163-141-00	CERAMIC CHIP	0.001uF 5% 50V	R367	1-216-089-91	METAL GLAZE	47K 5% 1/10W
C357	1-163-141-00	CERAMIC CHIP	0.001uF 5% 50V	R368	1-216-089-91	METAL GLAZE	47K 5% 1/10W
		< CONNECTOR >		R369	1-216-089-91	METAL GLAZE	47K 5% 1/10W
CN301	1-580-472-11	SOCKET, CONNECTOR 5P		R372	1-216-037-00	METAL CHIP	330 5% 1/10W
CN302	1-580-472-11	SOCKET, CONNECTOR 5P		R373	1-216-037-00	METAL CHIP	330 5% 1/10W
CN303	1-696-749-11	WIRE (FLAT TYPE) (16 CORE)		R374	1-216-037-00	METAL CHIP	330 5% 1/10W
		< DIODE >		R375	1-216-081-00	METAL CHIP	22K 5% 1/10W
D301	8-719-026-64	DIODE SML1260S (CD SYNCHRO FADE)		R376	1-216-121-00	METAL CHIP	1M 5% 1/10W
D302	8-719-026-64	DIODE SML1260S (AUTO REC LEVEL)		R377	1-216-085-00	METAL CHIP	33K 5% 1/10W
D303	8-719-026-64	DIODE SML1260S (CD SYNCHRO C. FADE)		R378	1-216-025-00	METAL CHIP	100 5% 1/10W
		< FLUORESCENT INDICATOR >		R379	1-216-025-00	METAL CHIP	100 5% 1/10W
FL351	1-519-638-11	INDICATOR TUBE, FLUORESCENT		R380	1-216-025-00	METAL CHIP	100 5% 1/10W
		< HOLDER >		R381	1-216-025-00	METAL CHIP	100 5% 1/10W
* HL301	3-367-839-01	HOLDER, FL TUBE				< SWITCH >	
		< IC >		S901	1-572-184-11	SWITCH, KEYBOARD (CD SYNCHRO C. FADE)	
IC351	8-759-323-35	IC HD-614023-FA93		S902	1-572-184-11	SWITCH, KEYBOARD (CD SYNCHRO FADE)	
		< TRANSISTOR >		S903	1-572-184-11	SWITCH, KEYBOARD (DOLBY NR)	
Q301	8-729-805-65	TRANSISTOR 2SA1344		S904	1-554-303-21	SWITCH, TACTILE (DUBBING MODE)	
Q302	8-729-805-65	TRANSISTOR 2SA1344		S905	1-572-184-11	SWITCH, KEYBOARD (RESET)	
Q303	8-729-805-65	TRANSISTOR 2SA1344		S906	1-572-184-11	SWITCH, KEYBOARD (COUNTER A/B)	
		< RESISTOR >		S907	1-572-184-11	SWITCH, KEYBOARD (DIRECTION MODE)	
R351	1-216-029-00	METAL CHIP	150 5% 1/10W	S908	1-554-303-21	SWITCH, TACTILE (PAUSE \square)	
R352	1-216-055-00	METAL CHIP	1.8K 5% 1/10W	S909	1-554-303-21	SWITCH, TACTILE (MUTE \bullet)	
R353	1-216-049-00	METAL CHIP	1K 5% 1/10W	S910	1-554-303-21	SWITCH, TACTILE (AMS \blacktriangleleft) (DECK A)	
R354	1-216-054-00	METAL GLAZE	1.6K 5% 1/10W	S911	1-554-303-21	SWITCH, TACTILE (AMS \blacktriangleright) (DECK A)	
R355	1-216-055-00	METAL CHIP	1.8K 5% 1/10W	S912	1-554-303-21	SWITCH, TACTILE (AMS \blacktriangleleft) (DECK B)	
				S913	1-554-303-21	SWITCH, TACTILE (AMS \blacktriangleright) (DECK B)	
				S914	1-554-303-21	SWITCH, TACTILE (REC \circ)	
						< VIBRATOR >	
				X351	1-577-101-11	VIBRATOR, CERAMIC (4.19MHz)	

Ref. No.	Part No.	Description	Remark	Ref. No.	Part No.	Description	Remark
*	A-2007-273-A	TC MAIN BOARD, COMPLETE *****		C608	1-124-927-11	ELECT	4. 7uF 20% 100V
		< CAPACITOR >		C609	1-163-037-11	CERAMIC CHIP	0. 022uF 10% 25V
C101	1-136-157-00	FILM	0. 022uF 5% 50V	C610	1-163-111-00	CERAMIC CHIP	56PF 5% 50V
C102	1-164-161-11	CERAMIC CHIP	0. 0022uF 10% 100V	C611	1-163-111-00	CERAMIC CHIP	56PF 5% 50V
C103	1-164-182-11	CERAMIC CHIP	0. 0033uF 10% 50V	C612	1-126-177-11	ELECT	100uF 20% 10V
C104	1-106-351-00	MYLAR	2200PF 5% 200V	C613	1-126-177-11	ELECT	100uF 20% 10V
C105	1-106-351-00	MYLAR	2200PF 5% 200V	C615	1-163-038-00	CERAMIC CHIP	0. 1uF 25V
C106	1-124-925-11	ELECT	2. 2uF 20% 100V	C617	1-124-477-11	ELECT	47uF 20% 25V
C107	1-136-174-00	FILM	0. 56uF 5% 50V	C618	1-163-038-00	CERAMIC CHIP	0. 1uF 25V
C108	1-136-171-00	FILM	0. 33uF 5% 50V	C620	1-164-232-11	CERAMIC CHIP	0. 01uF 50V
C109	1-124-927-11	ELECT	4. 7uF 20% 100V	C621	1-164-232-11	CERAMIC CHIP	0. 01uF 50V
C110	1-163-117-00	CERAMIC CHIP	100PF 5% 50V	C622	1-124-472-11	ELECT	470uF 20% 10V
C111	1-164-005-11	CERAMIC CHIP	0. 47uF 25V	C623	1-163-038-00	CERAMIC CHIP	0. 1uF 25V
C112	1-124-903-11	ELECT	1uF 20% 50V	C624	1-124-472-11	ELECT	470uF 20% 10V
C113	1-163-117-00	CERAMIC CHIP	100PF 5% 50V	C625	1-164-232-11	CERAMIC CHIP	0. 01uF 50V
C114	1-124-927-11	ELECT	4. 7uF 20% 100V	C626	1-164-232-11	CERAMIC CHIP	0. 01uF 50V
C115	1-124-925-11	ELECT	2. 2uF 20% 100V	C627	1-163-038-00	CERAMIC CHIP	0. 1uF 25V
C116	1-124-257-00	ELECT	2. 2uF 20% 50V	C629	1-126-157-11	ELECT	10uF 20% 16V
C117	1-124-257-00	ELECT	2. 2uF 20% 50V	C630	1-124-916-11	ELECT	22uF 20% 63V
C118	1-124-257-00	ELECT	2. 2uF 20% 50V	C631	1-124-257-00	ELECT	2. 2uF 20% 50V
C119	1-163-111-00	CERAMIC CHIP	56PF 5% 50V	C632	1-124-589-11	ELECT	47uF 20% 16V
C120	1-163-111-00	CERAMIC CHIP	56PF 5% 50V	C633	1-124-478-11	ELECT	100uF 20% 25V
C201	1-136-157-00	FILM	0. 022uF 5% 50V	C634	1-124-477-11	ELECT	47uF 20% 25V
C202	1-164-161-11	CERAMIC CHIP	0. 0022uF 10% 100V	C6009	1-124-907-11	ELECT	10uF 20% 50V
C203	1-164-182-11	CERAMIC CHIP	0. 0033uF 10% 50V	C6010	1-163-038-00	CERAMIC CHIP	0. 1uF 25V
C204	1-106-351-00	MYLAR	2200PF 5% 200V	C6011	1-163-129-00	CERAMIC CHIP	330PF 5% 50V
C205	1-106-351-00	MYLAR	2200PF 5% 200V	C6012	1-163-129-00	CERAMIC CHIP	330PF 5% 50V
C206	1-124-925-11	ELECT	2. 2uF 20% 100V	C6013	1-124-478-11	ELECT	100uF 20% 25V
C207	1-136-174-00	FILM	0. 56uF 5% 50V	C6021	1-163-141-00	CERAMIC CHIP	0. 001uF 5% 50V
C208	1-136-171-00	FILM	0. 33uF 5% 50V	C6022	1-124-927-11	ELECT	4. 7uF 20% 100V
C209	1-124-927-11	ELECT	4. 7uF 20% 100V	C6023	1-126-163-11	ELECT	4. 7uF 20% 50V
C210	1-163-117-00	CERAMIC CHIP	100PF 5% 50V	C6024	1-124-257-00	ELECT	2. 2uF 20% 50V
C211	1-164-005-11	CERAMIC CHIP	0. 47uF 25V	C6025	1-124-257-00	ELECT	2. 2uF 20% 50V
C212	1-124-903-11	ELECT	1uF 20% 50V	C6029	1-163-141-00	CERAMIC CHIP	0. 001uF 5% 50V
C213	1-163-117-00	CERAMIC CHIP	100PF 5% 50V	C6030	1-163-141-00	CERAMIC CHIP	0. 001uF 5% 50V
C214	1-124-927-11	ELECT	4. 7uF 20% 100V	C6031	1-163-038-00	CERAMIC CHIP	0. 1uF 25V
C215	1-124-925-11	ELECT	2. 2uF 20% 100V	C6033	1-163-141-00	CERAMIC CHIP	0. 001uF 5% 50V
C216	1-124-257-00	ELECT	2. 2uF 20% 50V	C6034	1-163-141-00	CERAMIC CHIP	0. 001uF 5% 50V
C217	1-124-257-00	ELECT	2. 2uF 20% 50V	C6035	1-163-141-00	CERAMIC CHIP	0. 001uF 5% 50V
C218	1-124-257-00	ELECT	2. 2uF 20% 50V	C6036	1-124-257-00	ELECT	2. 2uF 20% 50V
C219	1-163-111-00	CERAMIC CHIP	56PF 5% 50V	C6061	1-124-443-00	ELECT	100uF 20% 10V
C220	1-163-111-00	CERAMIC CHIP	56PF 5% 50V	C6062	1-124-902-00	ELECT	0. 47uF 20% 50V
C601	1-126-157-11	ELECT	10uF 20% 16V	< CONNECTOR >			
C602	1-124-907-11	ELECT	10uF 20% 50V	CN601	1-573-101-11	SOCKET, CONNECTOR (NON ZIF) 9P	
C603	1-124-903-11	ELECT	1uF 20% 50V	CN602	1-580-783-11	CONNECTOR, BOARD TO BOARD	
C604	1-124-903-11	ELECT	1uF 20% 50V	CN603	1-573-101-11	SOCKET, CONNECTOR (NON ZIF) 9P	
C605	1-124-903-11	ELECT	1uF 20% 50V	CN604	1-580-783-11	CONNECTOR, BOARD TO BOARD	
C606	1-124-903-11	ELECT	1uF 20% 50V	CN605	1-695-739-11	CONNECTOR, FFC/FPC 19P	
				CN606	1-580-475-11	SOCKET, CONNECTOR 16P	

Ref. No.	Part No.	Description	Remark	Ref. No.	Part No.	Description	Remark
CN607	1-580-783-11	CONNECTOR, BOARD TO BOARD		Q605	8-729-901-06	TRANSISTOR	DTA144EK
		< DIODE >		Q606	8-729-805-65	TRANSISTOR	2SA1344
D101	8-719-016-74	DIODE 1SS352		Q607	8-729-805-65	TRANSISTOR	2SA1344
D201	8-719-016-74	DIODE 1SS352		Q608	8-729-805-65	TRANSISTOR	2SA1344
D601	8-719-422-91	DIODE MA8091		Q609	8-729-602-21	TRANSISTOR	2SC4154
D602	8-719-016-74	DIODE 1SS352		Q611	8-729-805-65	TRANSISTOR	2SA1344
D603	8-719-016-74	DIODE 1SS352		Q612	8-729-207-56	TRANSISTOR	RN1402
D604	8-719-016-74	DIODE 1SS352		Q613	8-729-207-56	TRANSISTOR	RN1402
D605	8-719-016-74	DIODE 1SS352		Q616	8-729-804-41	TRANSISTOR	2SB1122-S
D606	8-719-016-74	DIODE 1SS352		Q617	8-729-804-41	TRANSISTOR	2SB1122-S
D607	8-719-210-33	DIODE EC10DS2		Q620	8-729-805-65	TRANSISTOR	2SA1344
D608	8-719-210-33	DIODE EC10DS2		Q624	8-729-805-40	TRANSISTOR	2SC3900
D609	8-719-016-74	DIODE 1SS352		Q625	8-729-602-36	TRANSISTOR	2SA1602
D610	8-719-016-74	DIODE 1SS352		Q627	8-729-107-46	TRANSISTOR	2SC3624A-L15
D611	8-719-016-74	DIODE 1SS352		Q628	8-729-602-36	TRANSISTOR	2SA1602
D612	8-719-016-84	DIODE 02DZ2. 0-TPH3		Q629	8-729-207-56	TRANSISTOR	RN1402
D6010	8-719-016-74	DIODE 1SS352		Q630	8-729-805-40	TRANSISTOR	2SC3900
D6011	8-719-016-74	DIODE 1SS352		Q631	8-729-207-56	TRANSISTOR	RN1402
		< IC >		Q632	8-729-805-65	TRANSISTOR	2SA1344
IC101	8-759-300-71	IC HD14053BFP		Q633	8-729-805-65	TRANSISTOR	2SA1344
IC102	8-752-037-90	IC CXA1331M		Q634	8-729-602-36	TRANSISTOR	2SA1602
IC103	8-752-055-60	IC CXA1578M		Q635	8-729-207-56	TRANSISTOR	RN1402
IC104	8-759-636-55	IC M5218AFP		Q636	8-729-207-56	TRANSISTOR	RN1402
IC105	8-759-516-47	IC CD4066BCM		Q637	8-729-207-56	TRANSISTOR	RN1402
IC106	8-759-636-55	IC M5218AFP		Q641	8-729-207-56	TRANSISTOR	RN1402
IC107	8-759-634-96	IC M5207L05		Q642	8-729-207-56	TRANSISTOR	RN1402
IC108	8-759-636-55	IC M5218AFP		Q643	8-729-207-56	TRANSISTOR	RN1402
IC109	8-759-516-47	IC CD4066BCM		Q644	8-729-207-56	TRANSISTOR	RN1402
IC601	8-759-163-38	IC M38022M4-072FP				< RESISTOR >	
IC602	8-759-636-67	IC M50925-482FP		R101	1-216-089-91	METAL GLAZE	47K 5% 1/10W
IC603	8-759-207-05	IC TA7272P		R102	1-216-089-91	METAL GLAZE	47K 5% 1/10W
IC604	8-759-636-55	IC M5218AFP		R103	1-216-056-00	METAL GLAZE	2K 5% 1/10W
IC605	8-759-516-41	IC CD4052BCM		R104	1-216-060-00	METAL GLAZE	3K 5% 1/10W
IC6001	8-759-520-90	IC PST572E		R105	1-216-105-00	METAL CHIP	220K 5% 1/10W
		< COIL >		R106	1-216-073-00	METAL CHIP	10K 5% 1/10W
L6001	1-410-482-31	INDUCTOR 100uH		R107	1-216-082-00	METAL GLAZE	24K 5% 1/10W
L6002	1-410-470-11	INDUCTOR 10uH		R108	1-216-043-00	METAL CHIP	560 5% 1/10W
		< TRANSISTOR >		R109	1-216-073-00	METAL CHIP	10K 5% 1/10W
Q101	8-729-207-56	TRANSISTOR RN1402		R110	1-216-057-00	METAL CHIP	2.2K 5% 1/10W
Q102	8-729-602-21	TRANSISTOR 2SC4154		R111	1-216-097-00	METAL CHIP	100K 5% 1/10W
Q201	8-729-207-56	TRANSISTOR RN1402		R112	1-216-065-00	METAL CHIP	4.7K 5% 1/10W
Q202	8-729-602-21	TRANSISTOR 2SC4154		R114	1-216-057-00	METAL CHIP	2.2K 5% 1/10W
Q601	8-729-805-65	TRANSISTOR 2SA1344		R115	1-216-105-00	METAL CHIP	220K 5% 1/10W
Q602	8-729-805-65	TRANSISTOR 2SA1344		R116	1-216-049-00	METAL CHIP	1K 5% 1/10W
Q603	8-729-207-56	TRANSISTOR RN1402		R117	1-216-081-00	METAL CHIP	22K 5% 1/10W
Q604	8-729-805-65	TRANSISTOR 2SA1344		R118	1-216-085-00	METAL CHIP	33K 5% 1/10W
				R119	1-216-035-00	METAL CHIP	270 5% 1/10W
				R120	1-216-049-00	METAL CHIP	1K 5% 1/10W
				R121	1-216-097-00	METAL CHIP	100K 5% 1/10W

Ref. No.	Part No.	Description	Remark			Ref. No.	Part No.	Description	Remark		
R122	1-216-081-00	METAL CHIP	22K	5%	1/10W	R625	1-216-105-00	METAL CHIP	220K	5%	1/10W
R123	1-216-105-00	METAL CHIP	220K	5%	1/10W	R626	1-216-101-00	METAL CHIP	150K	5%	1/10W
R128	1-216-105-00	METAL CHIP	220K	5%	1/10W	R627	1-216-081-00	METAL CHIP	22K	5%	1/10W
R201	1-216-089-91	METAL GLAZE	47K	5%	1/10W	R628	1-216-073-00	METAL CHIP	10K	5%	1/10W
R202	1-216-089-91	METAL GLAZE	47K	5%	1/10W	R629	1-216-057-00	METAL CHIP	2.2K	5%	1/10W
R203	1-216-056-00	METAL GLAZE	2K	5%	1/10W	R630	1-216-081-00	METAL CHIP	22K	5%	1/10W
R204	1-216-060-00	METAL GLAZE	3K	5%	1/10W	R631	1-216-081-00	METAL CHIP	22K	5%	1/10W
R205	1-216-105-00	METAL CHIP	220K	5%	1/10W	R632	1-216-025-00	METAL CHIP	100	5%	1/10W
R206	1-216-073-00	METAL CHIP	10K	5%	1/10W	R633	1-216-065-00	METAL CHIP	4.7K	5%	1/10W
R207	1-216-082-00	METAL GLAZE	24K	5%	1/10W	R634	1-216-081-00	METAL CHIP	22K	5%	1/10W
R208	1-216-043-00	METAL CHIP	560	5%	1/10W	R635	1-216-081-00	METAL CHIP	22K	5%	1/10W
R209	1-216-073-00	METAL CHIP	10K	5%	1/10W	R636	1-216-081-00	METAL CHIP	22K	5%	1/10W
R210	1-216-057-00	METAL CHIP	2.2K	5%	1/10W	R637	1-216-081-00	METAL CHIP	22K	5%	1/10W
R211	1-216-097-00	METAL CHIP	100K	5%	1/10W	R638	1-216-081-00	METAL CHIP	22K	5%	1/10W
R212	1-216-065-00	METAL CHIP	4.7K	5%	1/10W	R639	1-216-057-00	METAL CHIP	2.2K	5%	1/10W
R213	1-216-089-91	METAL GLAZE	47K	5%	1/10W	R640	1-216-057-00	METAL CHIP	2.2K	5%	1/10W
R214	1-216-057-00	METAL CHIP	2.2K	5%	1/10W	R641	1-216-073-00	METAL CHIP	10K	5%	1/10W
R215	1-216-105-00	METAL CHIP	220K	5%	1/10W	R642	1-216-089-91	METAL GLAZE	47K	5%	1/10W
R216	1-216-049-00	METAL CHIP	1K	5%	1/10W	R643	1-216-089-91	METAL GLAZE	47K	5%	1/10W
R217	1-216-081-00	METAL CHIP	22K	5%	1/10W	R644	1-216-025-00	METAL CHIP	100	5%	1/10W
R218	1-216-085-00	METAL CHIP	33K	5%	1/10W	R645	1-216-089-91	METAL GLAZE	47K	5%	1/10W
R219	1-216-035-00	METAL CHIP	270	5%	1/10W	R646	1-216-081-00	METAL CHIP	22K	5%	1/10W
R220	1-216-049-00	METAL CHIP	1K	5%	1/10W	R647	1-216-025-00	METAL CHIP	100	5%	1/10W
R221	1-216-097-00	METAL CHIP	100K	5%	1/10W	R648	1-216-025-00	METAL CHIP	100	5%	1/10W
R222	1-216-081-00	METAL CHIP	22K	5%	1/10W	R649	1-216-025-00	METAL CHIP	100	5%	1/10W
R223	1-216-105-00	METAL CHIP	220K	5%	1/10W	R650	1-216-121-00	METAL CHIP	1M	5%	1/10W
R228	1-216-105-00	METAL CHIP	220K	5%	1/10W	R651	1-216-081-00	METAL CHIP	22K	5%	1/10W
R601	1-216-081-00	METAL CHIP	22K	5%	1/10W	R652	1-216-081-00	METAL CHIP	22K	5%	1/10W
R602	1-216-081-00	METAL CHIP	22K	5%	1/10W	R653	1-216-073-00	METAL CHIP	10K	5%	1/10W
R603	1-216-057-00	METAL CHIP	2.2K	5%	1/10W	R654	1-216-073-00	METAL CHIP	10K	5%	1/10W
R605	1-216-081-00	METAL CHIP	22K	5%	1/10W	R655	1-216-089-91	METAL GLAZE	47K	5%	1/10W
R606	1-216-081-00	METAL CHIP	22K	5%	1/10W	R656	1-216-073-00	METAL CHIP	10K	5%	1/10W
R607	1-216-081-00	METAL CHIP	22K	5%	1/10W	R657	1-216-043-00	METAL CHIP	560	5%	1/10W
R608	1-216-049-00	METAL CHIP	1K	5%	1/10W	R658	1-216-081-00	METAL CHIP	22K	5%	1/10W
R609	1-216-083-00	METAL CHIP	27K	5%	1/10W	R659	1-216-029-00	METAL CHIP	150	5%	1/10W
R610	1-216-083-00	METAL CHIP	27K	5%	1/10W	R660	1-216-081-00	METAL CHIP	22K	5%	1/10W
R611	1-216-077-00	METAL CHIP	15K	5%	1/10W	R661	1-216-083-00	METAL CHIP	27K	5%	1/10W
R612	1-216-081-00	METAL CHIP	22K	5%	1/10W	R662	1-216-083-00	METAL CHIP	27K	5%	1/10W
R613	1-216-089-91	METAL GLAZE	47K	5%	1/10W	R663	1-216-073-00	METAL CHIP	10K	5%	1/10W
R614	1-216-065-00	METAL CHIP	4.7K	5%	1/10W	R664	1-216-045-00	METAL CHIP	680	5%	1/10W
R615	1-216-071-00	METAL CHIP	8.2K	5%	1/10W	R665	1-216-073-00	METAL CHIP	10K	5%	1/10W
R616	1-216-061-00	METAL CHIP	3.3K	5%	1/10W	R666	1-216-045-00	METAL CHIP	680	5%	1/10W
R617	1-216-097-00	METAL CHIP	100K	5%	1/10W	R667	1-216-025-00	METAL CHIP	100	5%	1/10W
R618	1-216-097-00	METAL CHIP	100K	5%	1/10W	R668	1-216-090-00	METAL CHIP	51K	5%	1/10W
R619	1-216-065-00	METAL CHIP	4.7K	5%	1/10W	R669	1-216-089-91	METAL GLAZE	47K	5%	1/10W
R620	1-216-105-00	METAL CHIP	220K	5%	1/10W	R670	1-216-084-00	METAL CHIP	30K	5%	1/10W
R621	1-216-073-00	METAL CHIP	10K	5%	1/10W	R671	1-216-090-00	METAL CHIP	51K	5%	1/10W
R622	1-216-097-00	METAL CHIP	100K	5%	1/10W	R672	1-216-065-00	METAL CHIP	4.7K	5%	1/10W
R623	1-216-057-00	METAL CHIP	2.2K	5%	1/10W	R673	1-216-080-00	METAL CHIP	20K	5%	1/10W
R624	1-216-096-00	METAL GLAZE	91K	5%	1/10W	R674	1-216-083-00	METAL CHIP	27K	5%	1/10W

TC MAIN

Ref. No.	Part No.	Description	Remark	Ref. No.	Part No.	Description	Remark
R675	1-216-080-00	METAL CHIP	20K 5% 1/10W			< VIBRATOR >	
R676	1-216-065-00	METAL CHIP	4.7K 5% 1/10W				
R677	1-216-089-91	METAL GLAZE	47K 5% 1/10W	X601	1-577-358-21	VIBRATOR, CERAMIC (4MHz)	
R678	1-216-084-00	METAL CHIP	30K 5% 1/10W				
R679	1-216-083-00	METAL CHIP	27K 5% 1/10W				
R680	1-216-090-00	METAL CHIP	51K 5% 1/10W				
R681	1-216-090-00	METAL CHIP	51K 5% 1/10W				
R682	1-216-025-00	METAL CHIP	100 5% 1/10W				
R683	1-216-057-00	METAL CHIP	2.2K 5% 1/10W				
R684	1-216-057-00	METAL CHIP	2.2K 5% 1/10W				
R685	1-216-025-00	METAL CHIP	100 5% 1/10W				
R686	1-216-025-00	METAL CHIP	100 5% 1/10W				
R687	1-216-081-00	METAL CHIP	22K 5% 1/10W				
R688	1-216-029-00	METAL CHIP	150 5% 1/10W				
R689	1-216-025-00	METAL CHIP	100 5% 1/10W				
R690	1-216-025-00	METAL CHIP	100 5% 1/10W				
R691	1-216-025-00	METAL CHIP	100 5% 1/10W				
R692	1-216-081-00	METAL CHIP	22K 5% 1/10W				
R694	1-216-689-11	METAL CHIP	39K 0.5% 1/10W				
R695	1-216-073-00	METAL CHIP	10K 5% 1/10W				
R696	1-216-091-00	METAL CHIP	56K 5% 1/10W				
R697	1-216-063-00	METAL GLAZE	3.9K 5% 1/10W				
R698	1-216-083-00	METAL CHIP	27K 5% 1/10W				
R699	1-216-065-00	METAL CHIP	4.7K 5% 1/10W				
R700	1-216-073-00	METAL CHIP	10K 5% 1/10W				
R6002	1-216-065-00	METAL CHIP	4.7K 5% 1/10W				
R6003	1-216-073-00	METAL CHIP	10K 5% 1/10W				
R6004	1-216-089-91	METAL GLAZE	47K 5% 1/10W				
R6005	1-216-089-91	METAL GLAZE	47K 5% 1/10W				
R6010	1-216-049-00	METAL CHIP	1K 5% 1/10W				
R6011	1-216-097-00	METAL CHIP	100K 5% 1/10W				
R6012	1-216-049-00	METAL CHIP	1K 5% 1/10W				
R6013	1-216-085-00	METAL CHIP	33K 5% 1/10W				
R6014	1-216-079-00	METAL CHIP	18K 5% 1/10W				
R6016	1-216-073-00	METAL CHIP	10K 5% 1/10W				
R6017	1-216-071-00	METAL CHIP	8.2K 5% 1/10W				
R6018	1-216-081-00	METAL CHIP	22K 5% 1/10W				
R6050	1-216-025-00	METAL CHIP	100 5% 1/10W				
R6061	1-216-081-00	METAL CHIP	22K 5% 1/10W				
R6062	1-216-035-00	METAL CHIP	270 5% 1/10W				
R6063	1-216-689-11	METAL CHIP	39K 0.5% 1/10W				
R6070	1-216-057-00	METAL CHIP	2.2K 5% 1/10W				
R6071	1-216-057-00	METAL CHIP	2.2K 5% 1/10W				
		< VARIABLE RESISTOR >					
RV101	1-241-785-11	RES, ADJ, CARBON 10K (REC LEVEL (L))					
RV201	1-241-785-11	RES, ADJ, CARBON 10K (REC LEVEL (R))					
		< TEST PIN >					
* TP601	1-564-718-11	PIN, CONNECTOR (SMALL TYPE) 2P					